

LIMITED WARRANTY & DISCLAIMER OF WARRANTY

Marine Hardware™, Inc. (Herein called "Marine Hardware") warrants the products described herein and manufactured by Marine Hardware to be free from defects in material and workmanship for a period of ONE (1) YEAR LIMITED WARRANTY from date of shipment by Marine Hardware, under normal use and service, its sole obligation under warranty being limited to repairing and replacing, (as hereinafter provided) at its option, any product found to Marine Hardware's satisfaction to be defective upon examination of it, provided that such product shall be returned for inspection, freight prepaid, to Marine Hardware's factory within 90 days after discovery of the defect.

The repair or replacement of defective products will be made without charge for parts or labor.

This warranty shall not apply to parts or products not manufactured by Marine Hardware, the warranty for such items being limited to the actual warranty extended to Marine Hardware by its supplier.

This warranty shall not apply to any product which has been subjected to abuse, negligence, accident, improperly installed, or misapplication, or to any product which shall have been altered or repaired by others than Marine Hardware, nor to normal maintenance services and the replacement of service items (such as, but not limited to: washers, gaskets, lubricants, etc.) made in connection with such purchases.

This limited warranty does not cover problems caused by improper maintenance, storage, cradling, blocking, normal wear and tear, lack of bonding or cathodic protection, misuse, neglect, accident, corrosion, electrolysis, or improper operation.

TO THE MAXIMUM EXTENT PERMITTED BY APPLICABLE LAW, MARINE HARDWARE DISCLAIMS ALL OTHER WARRANTIES, EITHER EXPRESSED OR IMPLIED, ARISING BY OPERATION OF LAW, COURSE OF DEALING, CUSTOM AND PRACTICE OR OTHERWISE, INCLUDING, BUT NOT LIMITED TO IMPLIED WARRANTIES OF MERCHANTABILITY AND FITNESS FOR A PARTICULAR PURPOSE. This limited warranty gives the purchaser specific rights that vary from state to state or from jurisdiction to jurisdiction.

To the maximum extent permissible by applicable law, in no event shall Marine Hardware be liable for any damages whatsoever (including, without limitation: special, incidental, consequential or indirect damages for personal injury, loss of business profits, business interruption, loss of business information, or any other pecuniary loss) arising out of the use or inability to use the products described herein, even if Marine Hardware has been advised of the possibility of such damages. Because some states or jurisdictions do not allow the exclusion of limitation of liability for consequential or incidental damages, the above limitation may not apply to the purchaser.

IT IS THE RESPONSIBILITY OF THE BUYER TO STUDY THE PARTICULAR HYDRODYNAMICS AND MECHANICAL NEEDS OF THEIR BOATS AND EVALUATE MARINE HARDWARE'S PRODUCTS FOR FITNESS AND APPLICABILITY THROUGH A TESTING PROGRAM AS MAY BE NECESSARY.

THE BUYER ACKNOWLEDGES THAT NO OTHER REPRESENTATIONS, AGREEMENTS, GUARANTEES, OR WARRANTIES, WRITTEN OR ORAL, WHICH ARE NOT EXPRESSED HEREIN, WERE MADE TO HIM OR HER OR RELIED UPON BY THE BUYER WITH RESPECT TO THE QUALITY, COMPOSITION, DESIGN, AND FUNCTION OF THE GOODS.

Table of Contents

5-16 SHAFTING

6	Aquanox™/ Nautilloy™ Shafting
7	Marine Hardware™ Shaft Assemblies
8	Shaft Dimensions
9	Shaft Specs
10	Shafts
11	Correct Fit of Propeller/Coupler on Shaft
12-14	Couplers
15	Keystock
16	Prop Nuts
16	Cotter Pins

17-41 STRUTS & RUDDERS

18-19	Struts
20	Strut Bearings
21	Ski Boat Bearing
21	Packing Materials
22	Hose Assemblies & Hoses
22	Clamps
23	Shaft Logs
24-25	Shaft Stuffing Boxes
26	Rudder Stuffing Boxes
27	Rudder Support Bearings
27	Safety Collars
27-30	Tiller Arms
31	Clevises & Tie Bars
31	Motor Mounts
32-33	Outboard Rudder Assemblies
34-37	Inboard Rudders
38	Tournament Ski Boat Rudder Assemblies
39-40	Tournament Ski Boat Rudders
40-41	Turn Fins
43-51	APPENDIX-Worksheets

Material Specifications

BRASS AND BRONZE STANDARD CASTING ALLOYS

	SPECIFICATIONS						CHEMICAL COMPOSITIONS								MECHANICAL PROPERTIES						
	1978 CDA	1961 ASTM	1981 SAE	ALLOY ID	MILITARY	AMS	Cu %	Sn %	Pb %	Zn %	Ni %	Fe %	Al %	Others %	Tensile Strength		Yield Strength		Brinell Hardness	Weight Lbs./In. ³	Machinability Free Cut YB-100
															min. ksi	typ. ksi	min. ksi	typ. ksi			
Red Brass	C83300	—	—	131	—	—	93	1.5	1.5	4	—	—	—	—	—	32	—	10	35	.318	35
	C83600	B584-836	C83600	115	C-22229Gr2	—	85	5	5	5	—	—	—	—	30	37	14	17	50-65	.318	84
	C83800	B584-838	C83800	120	—	—	83	4	6	7	—	—	—	—	29	35	12	16	50-60	.312	90
Yellow Brass	C85400	B584-854	C86400	403	—	—	67	1	3	29	—	—	—	—	30	34	11	12	40-60	.305	80
	C85700	B564-857	—	405-2	C-15345Gr3	—	63	1	1	34.7	—	—	.3	—	40	50	14	18	75	.304	80
Manganese Bronze	C86200	B584-862	C86200	423	C-22229Gr9	—	64*	—	—	26	—	3	4	—	90	95	45	48	170†	.288	30
	C86300	B584-863	C86300	424	C-22229Gr8	4862B	63*	—	—	25	—	3	6	—	110	119	60	83	225†	.283	8
	C86500	B584-865	C86500	421	C-22229Gr7	4860A	58	5	—	40	—	1	1	Mn .25	65	71	25	28	130†	.301	26

* Chemicals may be varied to yield chemical properties
† Brinell 3,000kg load

ALUMINUM STANDARD SAND AND PERM MOLD CASTING ALLOYS

AA #	SPECIFICATIONS						CHEM. COMP.				MECHANICAL PROPERTIES								
	Former Designation	S = Sand P = Perm Mold	Federal		Current Same as AA Old ASTM #'s		SAE	Cu %	Si %	Mg %	Zn %	Temper		Tensile Strength, psi		Yield Strength, psi		Brinell Hardness	
			QQA601E (S)	QQA596 (PM)	B-26 (S)	B-108 (PM)						S	PM	S	PM	S	PM	S	PM
319	319, Allcast	S,P	319	319	SC64D	SC64D	326	3.5	6.0			T62 T7 F	F T6 T551	41 39 27	34 40 36	32 26 18	19 27 28	85 60 75	85 95 105
356.0	356	S,P	356	356	SG70A	SG70A	323		7.0	0.3		T51 T6 T7	T61	25 33 34	41	20 24 30	30 70 75	60 70 75	90
713.0	613, Tenzaloy	S,P	Tenzaloy		ZG81A		315	0.7		0.4	7.5	ForT5	T5	34	40	23	27	75	80

NOTE: Unless otherwise specified, these alloys are not heat treated.

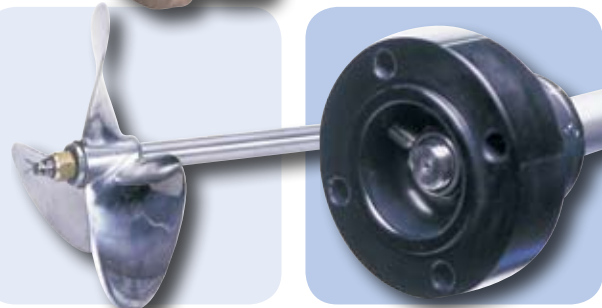
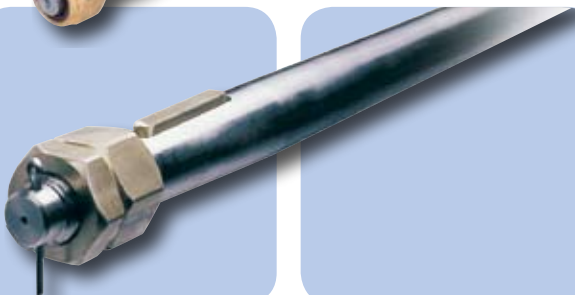
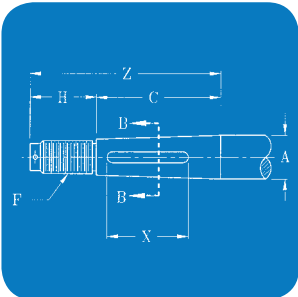
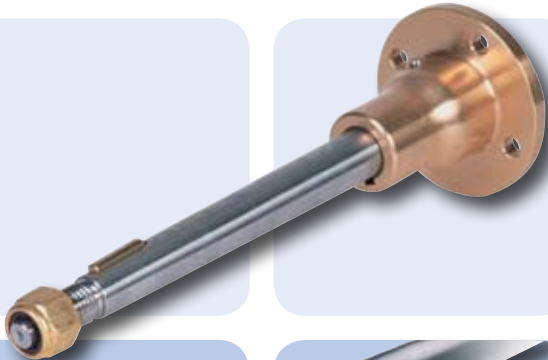
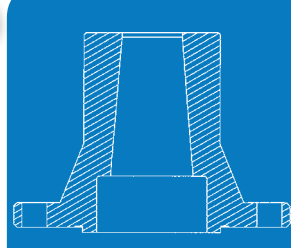
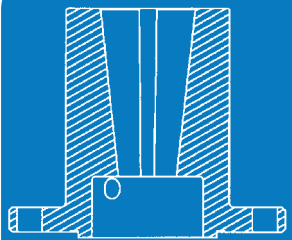
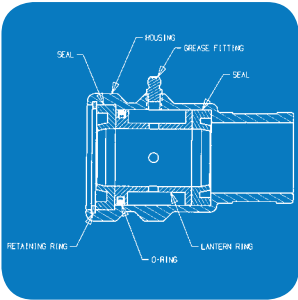
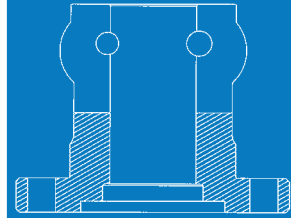
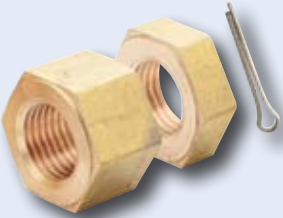
STAINLESS STEEL

Element	CHEMICAL COMPOSITIONS								MECHANICAL PROPERTIES				
	C	Mn	Ph	S	Si	Cr	Ni	Fe	Tensile Strength, psi		Yield Strength, psi		Hardness
303	0.15	2.00	0.200	0.150	1.00	17.00 - 19.00	8.00 - 10.00	Balance	95,000		45,000		Brinell 160
304	0.08	2.00	0.045	0.030	1.00	18.00 - 20.00	8.00 - 12.00	Balance	90,000		40,000		Rockwell b85
316	0.08	2.00	0.045	0.030	1.00	16.00 - 18.00	10.00 - 14.00	Balance	115,000		75,000		—
17-4	0.04	0.28	—	—	0.60	16.00	4.25	Balance	150,000		110,000		Rockwell c34

BOAT SHAFTING

	CHEMICAL COMPOSITIONS													MECHANICAL PROPERTIES				
	Cr	Ni	Cu	Mo	N	C	Mn	Ph	S	Si	Cb	V	Fe	Tensile Strength, psi	Yield	Torsional Yield	Elong., % in 2"	Red. of Area, %
AQUANOX™ 17 .750" - 8.000" dia	15.00 - 17.00	3.00 - 5.00	3.00 - 5.00	—	0.20 - 0.30	0.07	1.00	0.04	0.03	1.00	0.15 - 0.45	—	Balance	135,000	105,000	70,000	16	50
AQUANOX™ 19 .750" - 1.50" dia	18.00 - 20.00	8.00 - 10.50	—	—	0.20 - 0.40	0.08	2.00	0.04	0.03	1.00	—	—	Balance	130,000	105,000	70,000	20	55
AQUANOX™ 19 1.50" - 2.00" dia	18.00 - 20.00	8.00 - 10.50	—	—	0.20 - 0.40	0.08	2.00	0.04	0.03	1.00	—	—	Balance	115,000	85,000	57,000	25	55
AQUANOX™ 19 2.00" - 2.50" dia	18.00 - 20.00	8.00 - 10.50	—	—	0.20 - 0.40	0.08	2.00	0.04	0.03	1.00	—	—	Balance	105,000	60,000	40,000	30	55
AQUANOX™ 19 2.50" - 3.00" dia	18.00 - 20.00	8.00 - 10.50	—	—	0.20 - 0.40	0.08	2.00	0.04	0.03	1.00	—	—	Balance	100,000	55,000	36,600	35	55
AQUANOX™ 19 3.00" - 12.00" dia	18.00 - 20.00	8.00 - 10.50	—	—	0.20 - 0.40	0.08	2.00	0.04	0.03	1.00	—	—	Balance	95,000	50,000	33,000	35	55
AQUANOX™ 22 .75" - 1.25" dia	20.50 - 23.50	11.50 - 13.50	—	1.50 - 3.00	0.20 - 0.40	0.06	4.00 - 6.00	0.04	0.03	1.00	0.10 - 0.30	0.10 - 0.30	Balance	145,000	130,000	86,600	18	45
AQUANOX™ 22 1.25" - 2.00" dia	20.50 - 23.50	11.50 - 13.50	—	1.50 - 3.00	0.20 - 0.40	0.06	4.00 - 6.00	0.04	0.03	1.00	0.10 - 0.30	0.10 - 0.30	Balance	135,000	105,000	70,000	20	50
AQUANOX™ 22 2.00" - 2.50" dia	20.50 - 23.50	11.50 - 13.50	—	1.50 - 3.00	0.20 - 0.40	0.06	4.00 - 6.00	0.04	0.03	1.00	0.10 - 0.30	0.10 - 0.30	Balance	120,000	95,000	63,300	20	50
AQUANOX™ 22 2.50" - 3.00" dia	20.50 - 23.50	11.50 - 13.50	—	1.50 - 3.00	0.20 - 0.40	0.06	4.00 - 6.00	0.04	0.03	1.00	0.10 - 0.30	0.10 - 0.30	Balance	115,000	75,000	50,000	25	50
AQUANOX™ 22 3.00" - 12.00" dia	20.50 - 23.50	11.50 - 13.50	—	1.50 - 3.00	0.20 - 0.40	0.06	4.00 - 6.00	0.04	0.03	1.00	0.10 - 0.30	0.10 - 0.30	Balance	100,000	55,000	36,600	30	50
AQUANOX™ 22HS 2.250" - 6.00" dia	20.50 - 23.50	11.50 - 13.50	—	1.50 - 3.00	0.20 - 0.40	0.06	4.00 - 6.00	0.04	0.03	1.00	0.10 - 0.30	0.10 - 0.30	Balance	130,000	105,000	70,000	15	45

Shafting



aquanox™/Nautilloy™ Shafting

Marine Hardware,™ Inc. worked for years with most of the world's leading stainless steel bar mills, to provide the ultimate in boat shafting quality. By combining our field experience with our metallurgical excellence, our goal is to bring to our customers a product that is superior in materials and exacting tolerances. Our aquanox™ shafting is used in yachts manufactured by Bayliner, Maxum, and Luhrs, to ski boats such as Malibu and Fineline as well as Unlimited Hydroplanes like the Miss Budweiser and Miss Bardahl. We supply bars in type 17, 19, 22 and 22HS with diameters ranging from 1 inch thru 6 inches. Our lengths are available to 32 feet.

Our computer-controlled Mazak turning centers make prime quality shafting, part after part. We start with aquanox™ precision polished and ground modified 304 or 316 nitrogen stainless steel, and turn the taper, thread, and journal simultaneously in a Hardinge collet, not in a chuck which must be readjusted for each part. Our tapers have less than .002" runout, and the threads are Class 2 fit. After turning, keyways are cut to exacting standards which have proved over time and in the field to prevent shaft breakage at this critical area. Then we proceed with balancing and straightening to a tolerance of .002" on 42" intervals. This is 300% better accuracy than specified in American Boat and Yacht Council (ABYC) standards.



The chart on page 5 outlines some of the standards we enforce when building a precision prop shaft; it reflects the toughest ABYC, SAE, and Navy specifications.

Marine Hardware,™ Inc. prides itself in manufacturing shafts with our unique Nautilloy™ material. A unique blend of 316 stainless steel with nitrogen for strength, providing great strength and maximum corrosion protection.



aquanox™ COMPARISON GUIDE

Type	Density	Marine Grade	Aquatech ¹	Aquamet ²	Marinox ³	Aqualloy	Temet	ASTM Family	Chrome	Nickel
aquanox 17	.284	17-4	17	17	17	17	17	17-4	18.00 - 20.00	18.00 - 10.50
aquanox 19	.286	304N	19	19	19	19	19	304	18.00 - 20.00	8.00 - 12.00
aquanox 22	.285	XM19	22	22	22	22	22	316	16.00 - 18.00	10.00 - 14.00
aquanox 22HS	.285	XM19	22HS	22HS	22HS	22HS	22HS	316	18.00 - 20.00	18.00 - 20.00
Nautilloy® 22	.285	316N	N/A	N/A	N/A	N/A	N/A	316	18.00 - 20.00	18.00 - 20.00

¹Aquatech is a name of Gulf Global Corp., ²Aquamet is a registered trademark of Armco, Inc., licensed to Crucible Materials Corp., ³Marinox is a name of Valbruna Corp.

Marine Hardware,™ Inc.'s Shaft Assemblies

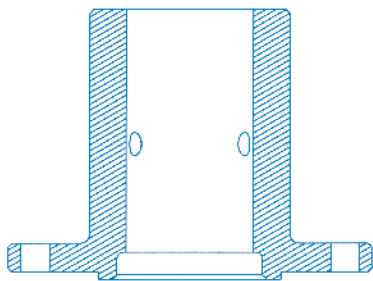
When replacing a shaft, we recommend replacement with a factory-assembled shaft/coupler set. Our assemblies are precision bored, honed, faced, straightened, and balanced to ensure concentricity and reduce vibration and shaft whip. Materials are the highest quality available in the industry, and all machining meets or exceeds ABYC standards. Our

assemblies are shipped complete with all keys, nuts, and cotter pin. Specify loose fit assembly for applications where shaft & coupler must be disassembled for installation, such as refits. Specify tight fit assembly for applications such as installation during boat builder's factory assembly of new boats.

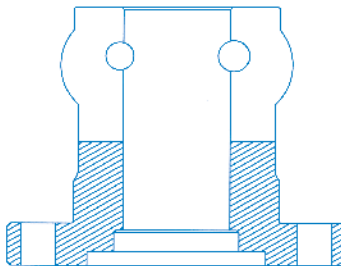


TYPES OF COUPLERS

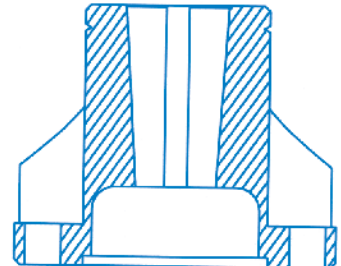
Marine Hardware,™ Inc. manufactures and assembles a variety of couplings to meet your needs. As always, if room allows, a double taper bronze coupling insures the tightest tolerances for better accuracies.



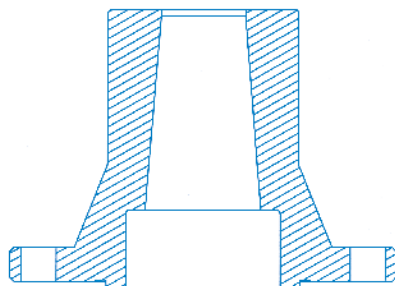
Straight Solid Coupler



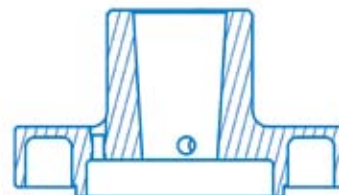
Straight Clamp Coupler



Tapered Coupler

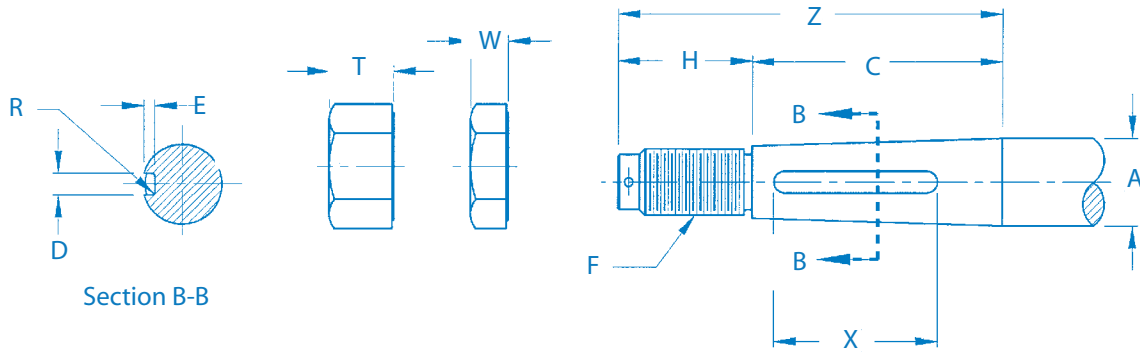


V-Drive Reverse Taper Coupler



Ski V Coupler

Shaft Dimensions



MACHINING SPECIFICATIONS

Nom. Shaft Dia.	Taper Length	Keyway Width	Keyway Side Depth*	Keyway Fillet Radius	Thread Spec.	Extension Beyond Taper	Cotter Pin Dia.	Thickness		Keyway Length (min.)	Taper to Tip
								Full Nut	Jam Nut		
(A)	(C)	(D)	(E)	(R)	(F)	(H)		(T)	(W)	(X)	(Z)
1"	2-3/4"	1/4"	1/8"	1/16"	3/4" — 10	1-3/4"	1/8"	3/4"	7/16"	1-1/2"	4-1/2"
1-1/8"	3-1/8"	1/4"	1/8"	1/16"	3/4" — 10	1-3/4"	1/8"	3/4"	7/16"	1-3/4"	4-7/8"
1-1/4"	3-1/2"	5/16"	5/32"	1/16"	7/8" — 9	2"	5/32"	7/8"	1/2"	2-1/8"	5-1/2"
1-3/8"	3-7/8"	5/16"	5/32"	1/16"	1" — 8	2-1/4"	5/32"	1"	9/16"	2-1/2"	6-1/8"
1-1/2"	4-1/4"	3/8"	3/16"	1/16"	1-1/8" — 7	2-7/16"	5/32"	1-1/8"	5/8"	2-3/8"	6-11/16"
1-3/4"	5"	7/16"	7/32"	1/16"	1-1/4" — 7	2-3/4"	3/16"	1-1/4"	3/4"	3-1/8"	7-3/4"
2"	5-3/4"	1/2"	1/4"	1/16"	1-1/2" — 6	3-1/8"	3/16"	1-1/2"	7/8"	3-5/8"	8-7/8"
2-1/4"	6-1/2"	9/16"	9/32"	3/32"	1-3/4" — 5	3-1/2"	1/4"	1-3/4"	1"	4"	10"
2-1/2"	7-1/4"	5/8"	5/16"	3/32"	1-3/4" — 5	3-1/2"	1/4"	1-3/4"	1"	4-1/2"	10-3/4"
2-3/4"	7-7/8"	5/8"	5/16"	3/32"	2" — 4-1/2	4"	1/4"	2"	1-1/8"	5-1/8"	11-7/8"
3"	8-5/8"	3/4"	5/16"	3/32"	2-1/4" — 4-1/2	4-3/8"	1/4"	2-1/4"	1-1/4"	6-1/4"	13"
3-1/2"	10-1/8"	7/8"	5/16"	1/8"	2-1/2" — 4	5-1/8"	3/8"	2-1/2"	1-1/2"	7-3/4"	15-1/4"
4"	11-5/8"	1"	5/16"	1/8"	3" — 4	5-7/8"	3/8"	3"	1-3/4"	9-1/4"	17-1/2"

* For shafts of 3" diameter and larger, keystock material is machine-planned on one side so that it is no longer square. Keyway side depths on both shafts and couplers of these larger diameters are equal. All shafts 3/4" through 6" in diameter have 3/4" per foot taper

COMPOSITION OF aquanox™ STAINLESS STEEL

Type	17	19	Nautilloy 22	22	22HS	K-500	Type 304	Type 316	Type 17-4
Carbon (max.)	0.08	0.03	0.03	0.08	0.08	.25	0.03	0.08	0.08
Manganese (max.)	2.00	2.00	2.00	2.00	2.00	1.50	2.00	2.00	2.00
Phosphorus	0.045	0.045	0.045	0.045	0.040	-	0.045	0.045	0.045
Sulfur (max.)	0.030	0.030	0.030	0.030	0.030	.010	0.030	0.030	0.030
Silicon (max.)	1.00	1.00	1.00	1.00	1.00	.050	1.00	1.00	1.00
Carbon (max.)	18.00-20.00	18.00-20.00	18.00-20.00	16.00-18.00	18.00-20.00	-	18.00-20.00	16.00-18.00	18.00-20.00
Chromium	8.00-10.500	8.00-12.00	18.00-20.00	10.00-14.00	8.00-10.50	63-70	8.00-12.00	10.00-14.00	8.00-10.500
Nickel	-	-	-	-	-	Balance	-	-	-
Copper	-	-	-	-	-	2.30 min.	-	-	-
Aluminum	-	-	-	-	-	.35-.85	-	-	-
Titanium	N 0.16-0.30	N 0.10-0.16	-	Mo 2.00-3.00 N 0.10 max	N 0.20-0.30	-	-	Mo 2.00-3.00	N 0.16-0.30

Shaft Specs

DIAMETER TOLERANCES

Allowable tolerance in overall diameter by size.

Diameter, inches	Permissible Variation, inches
3/4 to 15/16 incl	+ .001 - .001
1 to 1-1/2 excl	+ .002 - .001
1-1/2 to 2 incl	+ .003 - .001
Over 2 to 4 incl	+ .005 - .001
Over 4 to 4-1/2 incl	+ .005 - .005
Over 4-1/2 to 5-1/2 incl	+ .008 - .008
Over 5-1/2 to 7 incl	+ .008 - .012
Over 7 to 8 incl	+ .008 - .014
Over 8 to 12 incl	+ .010 - .016
Over 12	+ .015 - .020

PROPELLER SHAFTING WEIGHT PER LENGTH

Dia. of shaft	Weight, lbs/ft	Dia. of shaft	Weight, lbs/ft
1"	2.607	3"	24.030
1-1/8"	3.379	3-1/4"	28.202
1-1/4"	4.172	3-1/2"	32.708
1-3/8"	5.048	3-3/4"	37.547
1-1/2"	6.008	4"	42.720
1-3/4"	8.177	4-1/2"	54.068
2"	10.680	5"	66.750
2-1/4"	13.517	5-1/2"	80.768
2-1/2"	16.688	6"	96.120
2-3/4"	20.192	8"	170.880

SHAFT ASSEMBLIES STRAIGHTNESS TOLERANCES

Specific diameter of shafting in inches	Standard distance between supports in inches	Permissible variation (per revolution) from straightness in inches	Marine Hardware™, Inc. specs in inches
1/2 to 15/16 incl	42	0.005	0.001
Over 15/16 to 1-15/16 incl	42	0.006	0.002
Over 1-15/16 to 2-1/2 Incl	42	0.007	0.002
Over 2-1/2 to 4 incl	42	0.008	0.0025
3/4 to 15/16 incl	Specified lengths of 3 to 12 feet (Supported within 2" of ends)*	0.004 plus 0.0025 for each foot or fraction thereof in excess of 3 feet.	0.002
Over 15/16 to 8 incl	Specified lengths up to 25 feet (Supported within 2" of ends)*	0.005 plus 0.0015 for each foot or fraction thereof in excess of 3 feet.	0.003 plus 0.000
Over 15/16 to 8 incl	Specified lengths over 25 feet to 31-1/2 feet (Supported within 2" of ends)*	0.010 plus 0.0015 for each foot.	0.005
Over 8 to 14-1/2 incl	Up to 31-1/2 feet (Supported within 2" of ends)*	0.010 plus 0.0015 for each foot.	0.005

* If bars sag excessively by the end method, it is advisable to test using 42" method.



Marine Hardware™, Inc. inspects all Shaft Assemblies to American Boat and Yacht Council (ABYC) specifications. The green above indicates we inspect to .002 inches beyond the most stringent standards.

Engineering Note: Safety factor for both ABYC and SAE specify when calculating appropriate shaft diameters, a safety factor of 3 used with gas and 5 with diesel. With today's mechanical transmissions we recommend a safety factor of 5 for all applications.

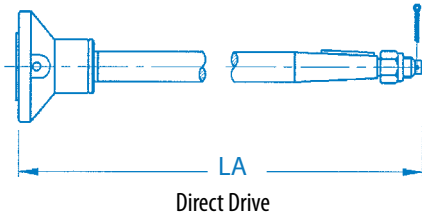
Sport fishing applications are considered to be high performance continuous duty and a safety factor of seven should be used.

Shafts

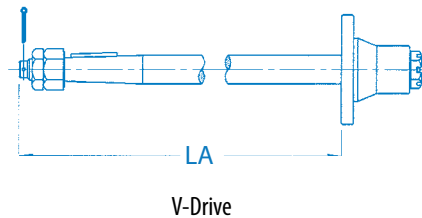
INFORMATION NEEDED WHEN ORDERING A SHAFT AND COUPLER ASSEMBLY

To order a prop shaft and coupler assembly, specify:

- Transmission Make & Model
- Straight Shank or Double Taper
- Material



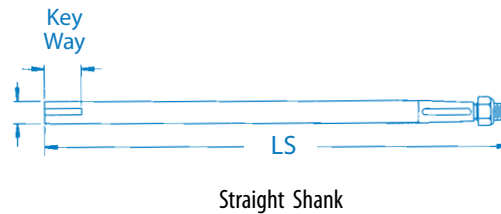
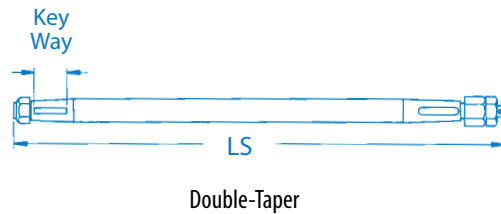
- D = Shaft Diameter
- LA = Length of assembly
(Length of assembly is measured from coupler flange face to the tip of the shaft.)



INFORMATION NEEDED WHEN ORDERING A PROP SHAFT ONLY

To order only a prop shaft, specify:

- LS = Length of Shaft
- Material
- Key Way Length
- Key Way Width
- Single or Double Taper



SHAFT ANALYSIS

Marine Hardware™, Inc. offers you a free shaft analysis when you supply us the data listed below. We will run our computer program and phone, fax or e-mail you the results for safety factor, maximum length between bearings, and shaft weight. Same day reply in most cases.

Please provide the following necessary information:

- Engine horsepower
- Engine RPM
- Gear reduction ratio
- Desired shaft diameter and material, if known



$$D = \sqrt[3]{\frac{321,000 \times P \times S.F.}{S^{\dagger} \times N}} \quad S.F. = \frac{D^3 \times S^{\dagger} \times N}{321,000 \times P}$$

- D = Shaft Diameter, inches (mm)
- P = Shaft Horsepower
- S.F. = Safety Factor
- S^{\dagger} = Yield Strength, torsional shear, lbs/in² (MPa)
- N = Shaft Speed, RPM

BEARING SPACING ANALYSIS - ABYC

When calculating overall assembled length, please refer to the following formula to minimize whip of the shaft.

$$L = \sqrt{\frac{3.21 D}{N}} \times \sqrt[4]{\frac{E}{W_1}}$$

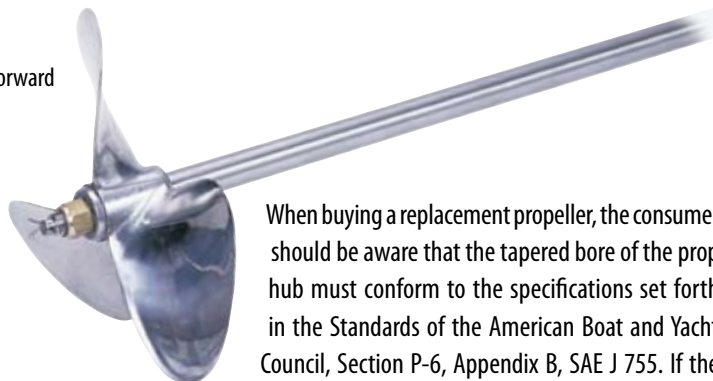
- L = Max Unsupported length, feet (m)
- D = Shaft diameter, inches (mm)
- N = Shaft speed, RPM
- E = Modulus of elasticity in tension, lbs/in² (MPa)
- W_1 = Weight of one cubic inch (cm³) of material, pounds (gm)

Note: The minimum required spacing for rigid bearings should exceed 20 times the shaft diameter when possible. If the shaft seal is of the rigid type and is located approximately at the mid-point of the shaft, bearing spacing may be twice the values shown in the equation.

Correct Fit of Propeller/Coupler on Shaft

PROCEDURE FOR CORRECT FIT OF PROPELLER ON SHAFT

1. Put propeller snugly onto shaft taper without the key in place.
2. Make a line with a non-graphite marker on the shaft around the forward edge of the prop hub.
3. Remove prop from shaft.
4. Put key into keyway on shaft taper with radiused or chamfered corners in keyway.
5. Put propeller onto shaft taper.
6. Check to see that propeller moves forward to line made in Step 2. If it does, skip to Step 7. If not, perform Steps 6a through 6f.
 - a. If prop does not move forward to line, remove prop from shaft.
 - b. Remove key and secure in vise with radiused or chamfered corners down and square corners up.
 - c. File down top of key a small amount.
 - d. Replace filed key in shaft keyway with radiused or chamfered corners in shaft and filed edge on top.
 - e. Replace prop on shaft and again check to see if it moves forward to the line made in Step 2.
 - f. If it does not line up, repeat Steps 6a through 6e. Be sure to file only a small amount from key at a time, so that key will fit in keyway snugly, yet will not prevent prop from seating completely on the shaft taper.
7. When prop hub moves to correct position, install prop nut on shaft and torque to seat the propeller. (ABYC Standard, Sec. P-6, Appendix A, 6.2.5.) Install and torque jam nut also, if your shaft is so equipped.



When buying a replacement propeller, the consumer should be aware that the tapered bore of the prop hub must conform to the specifications set forth in the Standards of the American Boat and Yacht Council, Section P-6, Appendix B, SAE J 755. If the hub does not conform to these dimensions and tolerances, the prop will not fit correctly on the shaft taper and will most likely result in vibration, inefficient power transmission, stress and weakening of the shaft, and possible shaft breakage. Once the correct dimensions of the prop hub length, bore, and keyway are verified, it is extremely important to ensure correct fit of the propeller on the shaft. The tapers of the shaft and the prop hub must be in contact over at least 75% of their surface area to transmit power effectively and without undue stress. If the prop is not installed far enough forward on the shaft taper because of interference by the key, stresses will occur which may result in shaft breakage.

Satisfactory installation of a correctly bored and keyed propeller is not difficult. If you have any doubts about the fit of the prop on the shaft, contact a qualified marine technician or boatyard for installation.

PROPER FIT OF TAPERED COUPLER TO SHAFT

1. Inspect both tapered surfaces, shaft and coupling, for smooth debris-free surfaces. Do not apply any oils, lubricants or anti-seize materials to the surfaces.
2. Slide coupling on the shaft without key to make certain the parts mate correctly. Mark the end location with a non-graphite marker.
3. Remove coupling leaving non-graphite mark visible on the shaft.
4. Install key in keyway making sure no binding.
5. Make sure both surfaces do **NOT** have oil, grease, or anti-seize.
6. Re-install coupling with the key installed, making sure the coupler slides to the same position indicated by your mark.
7. Once determined there is no key bind, install coupling nut and torque to recommended specifications.
8. If your coupling has external lock screws –install them with Loctite 262 and proper stainless safety wire.
9. Slide coupling and shaft assembly to engage the transmission flange and confirm final alignment.
10. Once final alignment is confirmed, bolt the assemblies together with proper fasteners, make sure diameter of fasteners match the bolt pattern on the coupling to prevent ratcheting.



Couplers

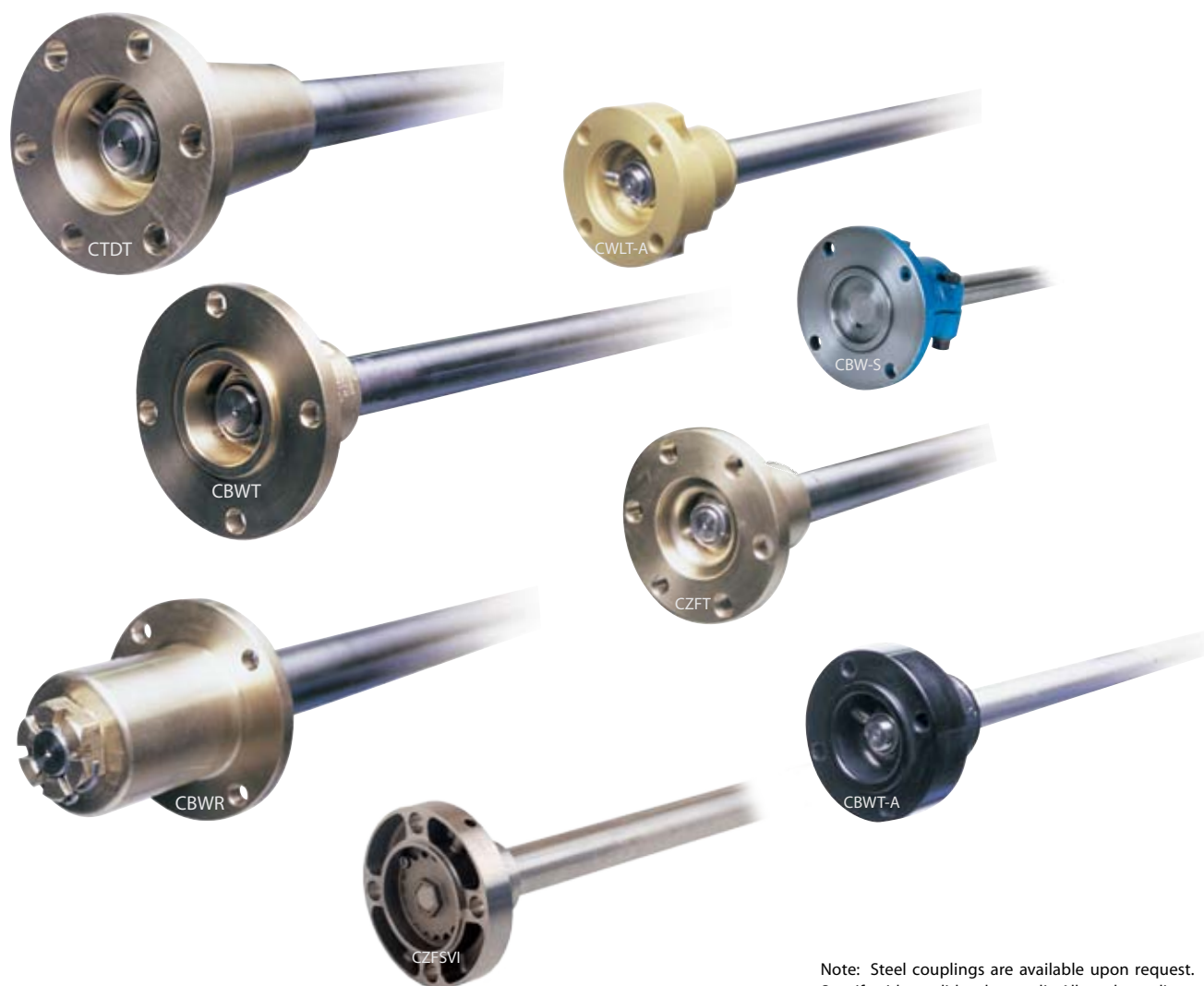
Marine Hardware,™ Inc. manufactures a full range of shaft couplers, plus many special models depending on installation requirements, including V-drives. All are cast from pure bronze ingot or billet 6061-T6 aluminum and Computer Numerical Controlled (CNC) turned to insure absolute concentricity of the bore with the registration ring, part after part. All bolt patterns are jig-drilled and register from the finished bore. We make all models and styles of couplers (except solid style) from 70 manganese bronze; also available in mild steel by special order. Certain styles for ski boats are available in heat-treated, anodized aluminum. Our couplers are shipped with a thick, protective peel-off plastic coating to prevent damage in transit.

When a coupler or shaft needs replacing due to damage or wear, we recommend that the complete shaft/coupler assembly be replaced. Every solid-style coupler must be reamed to match the precise diameter

of its mating shaft, since shafting stock has a diametrical tolerance range of $+.002''$ and $-.001''$. A light interference fit (Class LN 3) is attained in every solid-style assembly. Best results are achieved when the two assembled parts can be faced and precision-straightened at the factory.

Marine Hardware,™ Inc. utilizes 70 manganese bronze for all yacht couplings. This alloy is very similar to that of propellers. The corrosion-resistant characteristic of this metal allows easy removal of the coupling from the shaft.

Our ski boat couplings are of 6061 T6 aluminum, anodized for corrosion resistance. The desirable qualities of this material are its light weight and sound-dampening properties. The stainless steel super-short Ski-Vee coupling is the industry first with a self removal feature plus a simple self lock.



Note: Steel couplings are available upon request. Specify either solid style or split. All steel couplings on shafts 2-1/2" and larger are heat treated.

TAPERED BORE STYLE

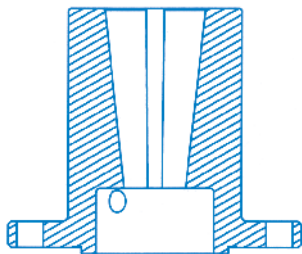
The many advantages of Marine Hardware™, Inc.'s tapered-bore coupler assembly have made it the style of choice for more than two decades. It has racked up an impressive durability and performance record in all types of craft from competition ski boats to large motor yachts.

Tapered bore couplers offer many advantages over standard straight bore styles. Since the diameter of the shafting and exact bore diameter of a straight-bore coupler may vary from piece to piece, driving on a taper assures two major advantages:

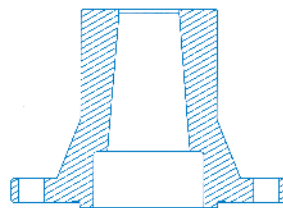
- a snug and precise fit, yet very easy to disassemble

- a coupler which will run concentric with the shaft throughout an entire revolution (This makes alignment significantly easier, which in turn helps reduce vibration)

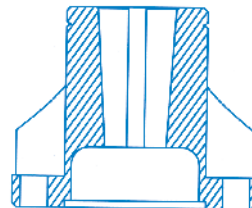
The Marine Hardware™, Inc., design team has engineered the most secure coupler-to-shaft locking system available for production boats. Heavy-duty set screws penetrate the coupler to seat against the nut on the shaft; these set screws are prevented from loosening by being tied together with high-strength wire. An absolute positive lock, yet still very accessible for service.



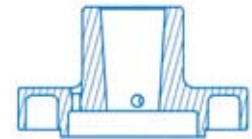
Tapered Bore Coupler
Male Pilot



Tapered Bore Coupler
Male Pilot



Tapered Bore Coupler
Female Pilot



Ski Vee Coupler
Male Pilot

STRAIGHT BORE STYLE

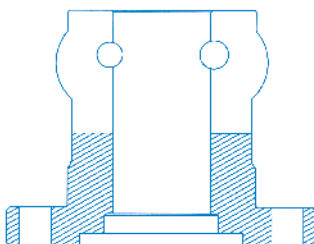
SPLIT STYLE

This straight bore style allows for easy removal and has bolts intersecting the shaft for reverse pull-out protection. Meets all ABYC specifications.

SOLID STYLE

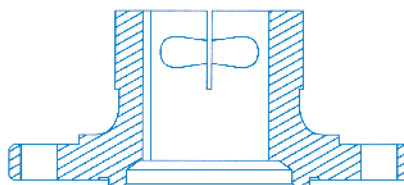
This straight bore style is secured by two set screws which seat in dimples on the shaft, to guard against slippage during reversing maneuvers.

Split Style



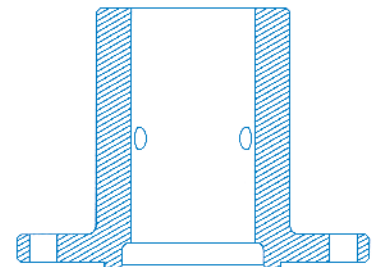
Straight Bore Split Style
Female Pilot

Split Style



Straight Bore Split Style
Male Pilot

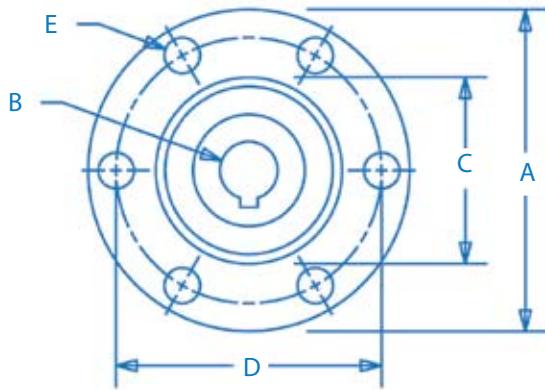
Solid Style



Straight Bore Solid Style
Male Pilot

Couplers

HOW TO SPECIFY A COUPLER



The following dimensions are required to determine the correct application:

Transmission Make and Model-if known

Bore Diameter (shaft diameter)

Internal or External Register

A = Flange Diameter

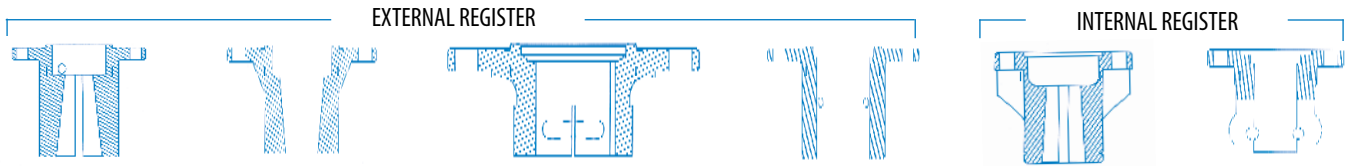
B = Bore/Shaft Dia.

D = Bolt Circle Diameter

E = Diameter of Bolt

C = Register Diameter (a.k.a. registration ring or pilot)

* please specify external (male) or internal (female)

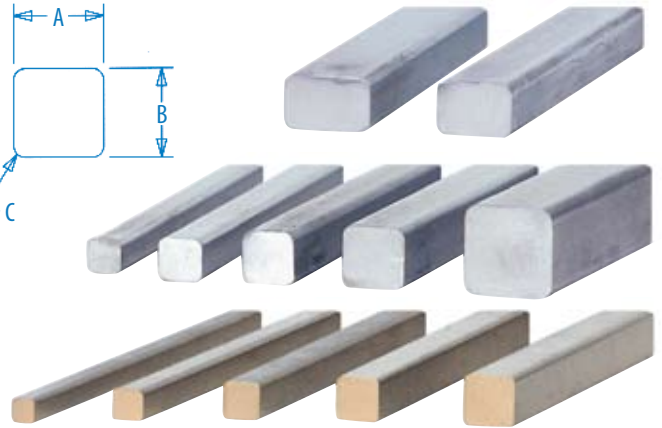
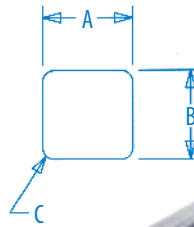


The following table is just a sample of the many sizes of couplers Marine Hardware™, Inc., manufactures. Please call with your specifications.

Name/Model	Flange Dia.	Pilot Dia. & Type	Bolt Circle	Bolt Size (dia.)	No. Holes	Bore Dia. Avail.	Length Overall	
							Tapered Bore	Straight Bore
Borg-Warner 71	4.00	2.50 External	3.25	3/8"	4	1" & 1-1/8"	3.00	2.25
B-W 72/Hurth 630	5.00	2.50 Ext.	4.25	7/16"	4	1-1/4" — 1-3/4"	3.00	2.25, 3.25
Velvet Drive 5000	5.00	2.50 Ext.	4.25	3/8"	4	1-1/4" — 1-3/4"	3.00	N/A
Borg-Warner 73	5.75	3.00 Internal	4.75	7/16"	8	1-1/2" — 2"	4.20	4.20
Caterpillar	5.75	3.00 Int.	4.75	5/8"	6	1-1/2" — 2"	4.20	Spc. Ord.
Twin Disc 502	4.75	2.50 Int.	3.88	7/16"	6	1-1/4" — 1-1/2"	4.25	3.70
Twin Disc 507	5.75	3.00 Int.	4.75	5/8"	6	1-1/2" — 2"	4.20	Spec. Ord.
Twin Disc 507A	7.25	3.75 Int.	6.00	3/4"	6	2" — 3"	7.38	N/A
Twin Disc 510A	9.00	6.00 Int.	7.50	7/8"	8	2" — 3-1/2"	7.38	N/A
Volvo Penta	100mm	60 mm Int.	80 mm	M10	4	1" — 1-1/2"	N/A	65 mm
Yanmar	3.95	1.97 Ext.	3.02	3/8" or M10	4	1" & 1-1/8"	3.50	N/A
Yanmar	4.72	2.55 Ext.	3.94	3/8" or M10	4	1" — 1-1/2"	N/A	2.75
Walters 26	3.50	2.00 Int.	2.88	3/8"	8	1" & 1-1/8"	2.95	N/A
Walters 36	4.00	2.00 Int.	3.25	3/8"	8	1" & 1-1/8"	2.95	N/A
ZF 25A	4.00	2.50 Int.	3.25	3/8"	4	1" & 1-1/8"	3.00	2.25
ZF 220A	4.75	2.50 Int.	3.88	7/16"	6	1-1/4" — 1-1/2"	4.25	3.70
ZF 63A and IV	5.25	2.50 Ext.	4.25	7/16"	4	1-1/4" — 1-3/4"	3.00	N/A
ZF 80A and IV	5.75	3.00 Int.	4.75	1/2"	6	1-1/2" — 2"	4.20	N/A
ZF 280A	5.75	3.00 Int.	4.75	5/8"	6	1-1/2" — 2"	4.20	N/A
ZF 302 IV and 311A	7.25	3.75 Int.	6.00	5/8"	8	2" — 3"	7.38	N/A
ZF 325-1 A	6.69	4.53 Int.	5.51	5/8"	12	1-3/4" — 2-1/2"	7.38	N/A
ZF45IV (Ski-Vee)	4.00	2.50 Ext.	3.25	7/16"	4	1" — 1-1/8"	2.12	N/A

Keystock

This pre-radiused, extruded material is sold in bulk by the pound. Keystock comes in 12 foot lengths. Our custom-extruded stock fulfills the requirement for keys to be radiused on edges for proper fit in prop end of the shaft. Thus there is no contact in fillet areas of the keyway, where such contact would result in early shaft failure. These are the same high quality materials as used for the keys in our Prop Nut Kits.



STAINLESS RADIUSED-304 Stainless Steel

Available in bulk

Part. No.	Size	Radius	Weight per 12'
	(A x B)	(C)	
KYSLSS-0.250-LB	1/4" x 1/4"	1/16"	2.32
KYSLSS-0.312-LB	5/16" x 5/16"	1/16"	3.74
KYSLSS-0.375-LB	3/8" x 3/8"	1/16"	5.52
KYSLSS-0.438-LB	7/16" x 7/16"	1/16"	7.56
KYSLSS-0.500-LB	1/2" x 1/2"	1/16"	9.96
KYSLSS-0.560-LB	9/16" x 9/16"	3/32"	12.50
KYSLSS-0.625-LB	5/8" x 5/8"	3/32"	15.80

STAINLESS RADIUSED-Rectangle-304 Stainless

Part. No.	Size	Radius	Weight per 12'
	(A x B)	(C)	
KYSL-0.625R-LB	5/8" x 3/4"	3/32"	18.44
KYSL-0.875x0.625	7/8" x 5/8"	3/32"	20.00
KYSL-1.00x0.62	1" x 5/8"	3/32"	19.50

PRE-CUT SINGLE PIECE KEYSTOCK-Rudder

Part. No.	Width	Length	Material
KEYS-RUDDER-1	1/4"	1"	Brass
KEYS-RUDDER-2	5/16"	1-1/4"	Brass
KEYS-RUDDER-3	5/16"	2"	Brass
KEYS-RUDDER-4	5/8"	5-3/8"	Brass
KEYS-RUDDER-5	1/2"	2"	Brass

PRE-CUT SINGLE PIECE KEYSTOCK-Propeller End

Part. No.	Width	Length	Material
KEYS-1.00SHAFT-PE	1/4"	1-1/4"	Brass
KEYS-1.12SHAFT-PE	1/4"	1-1/2"	Brass
KEYS-1.25SHAFT-PE	5/16"	2"	Brass
KEYS-1.50SHAFT-PE	3/8"	2"	Brass
KEYS-1.75SHAFT-PE	7/16"	2-5/8"	Brass
KEYS-2.00SHAFT-PE	1/2"	3-1/8"	Brass
KEYS-2.25SHAFT-PE	5/8"	4"	SS
KEYS-2.50SHAFT-PE	5/8"	4-1/2"	SS
KEYS-2.75SHAFT-PE	5/8"	5"	SS
KEYS-3.00SHAFT-PE	5/8"	6-1/4"	SS

BRASS RADIUSED-360 Free Machining Brass

Compatible with all bronze propellers.

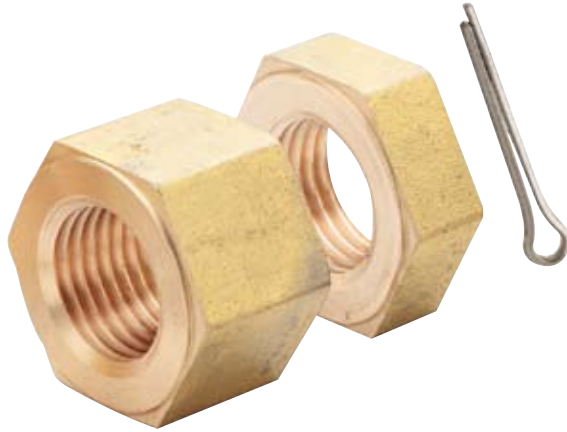
Part. No.	Size	Radius	Weight per 12'
	(A x B)	(C)	
KYBLBRS-0.250-LB	1/4" x 1/4"	1/32"	2.32
KYBLBRS-0.312-LB	5/16" x 5/16"	1/16"	3.74
KYBLBRS-0.375-LB	3/8" x 3/8"	1/16"	5.52
KYBLBRS-0.438-LB	7/16" x 7/16"	1/16"	7.56
KYBLBRS-0.500-LB	1/2" x 1/2"	1/16"	9.96
KYBLBRS-0.625-LB	5/8" x 5/8"	3/32"	15.80
KYBLBRS-0.625R-LB	5/8" x 3/4"	3/32"	18.44



PRE-CUT SINGLE PIECE KEYSTOCK-Coupler End

Part. No.	Size	Length	Material
KEYS-1.00SHAFT-CE	1/4"	1-1/2"	Brass
KEYS-1.00SHAFT-CE-SS	1/4"	1-1/2"	SS
KEYS-1.12SHAFT-CE	1/4"	1-1/2"	Brass
KEYS-1.12SHAFT-CE-SS	1/4"	1-1/2"	SS
KEYS-1.25SHAFT-CE	5/16"	1-5/8"	SS
KEYS-1.50SHAFT-CE	5/16"	2-3/8"	SS
KEYS-1.75SHAFT-CE	5/16"	2-3/8"	SS
KEYS-2.00SHAFT-CE	3/8"	3-1/8"	SS
KEYS-2.25SHAFT-CE	5/8"	3-5/8"	SS
KEYS-2.50SHAFT-CE	5/8"	4"	SS
KEYS-2.50SHAFT-CE-LG	5/8"	5"	SS
KEYS-2.75SHAFT-CE	5/8"	4-5/8"	SS
KEYS-3.00SHAFT-CE	5/8"	4-3/4"	SS

Prop Nuts



All prop nuts are machined on a CNC turning center from extruded barstock. Material is compatible with XM21, Aquamet™ 19, Marinox or aquanox™ shafting and will not seize once installed. Prop nuts are made with extra wall thickness to mate compatibly with all propeller hubs, and a large washer face to allow easier tightening during installation. All features meet or exceed ABYC standards. Cotter pins are corrosion-resistant 304 18-8 stainless steel, sized as specified by ABYC. Keys are manufactured from pre-radiused extruded keystock for proper fit in prop end of shaft. Thus there is no contact in fillet areas where such contact would lead to early shaft failure.

FULL PROP NUTS

Part No.	For Shaft Dia.	Thread
PNUTFULL-1.000-B	1" & 1-1/8"	3/4"—10
PNUTFULL-1.250-B	1-1/4"	7/8"—9
PNUTFULL-1.375-B	1-3/8"	1"—8
PNUTFULL-1.500-B	1-1/2"	1-1/8"—7
PNUTFULL-1.750-B	1-3/4"	1-1/4"—7
PNUTFULL-2.000-B	2"	1-1/2"—6
PNUTFULL-2.250-B	2-1/4"	1-3/4"—5
PNUTFULL-2.500-B	2-1/2"	1-3/4"—5
PNUTFULL-3.000-B	3"	2-1/4"—4-1/2
PNUTFULL-3.500-B	3-1/2"	2-1/2"—4
PNUTFULL-4.000-B	4"	3"—4

JAM PROP NUTS

Part No.	For Shaft Dia.	Thread
PNUTJAM-1.000-B	1" & 1-1/8"	3/4"—10
PNUTJAM-1.250-B	1-1/4"	7/8"—9
PNUTJAM-1.370-B	1-3/8"	1"—8
PNUTJAM-1.500-B	1-1/2"	1-1/8"—7
PNUTJAM-1.750-B	1-3/4"	1-1/4"—7
PNUTJAM-2.000-B	2"	1-1/2"—6
PNUTJAM-2.250-B	2-1/4"	1-3/4"—5
PNUTJAM-2.500-B	2-1/2"	1-3/4"—5
PNUTJAM-3.000-B	3"	2-1/4"—4-1/2
PNUTJAM-3.500-B	3-1/2"	2-1/2"—4
PNUTJAM-4.000-B	4"	3"—4

COUPLER NUTS

Zinc coated steel to prevent shaft gauling.

Part No.	Socket Size	Thread
0253ZINC0.750-10	1-1/16"	3/4"—10
0253ZINC1-4	1-7/16"	1"—14
0253ZINC1.25-7	1-13/16"	1-1/4"—7



SKI BOAT NYLOCK NUT

Brass full nut with nylon insert for positive lock. Class 3 thread.

Part No.	For Shaft Dia.	Thread
0251B750-10	1 & 1-1/8"	3/4"—10



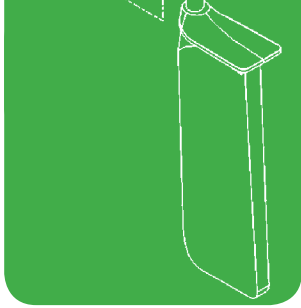
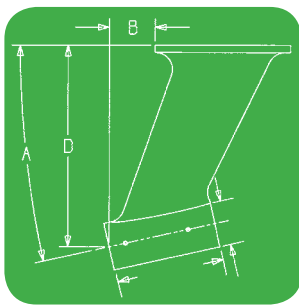
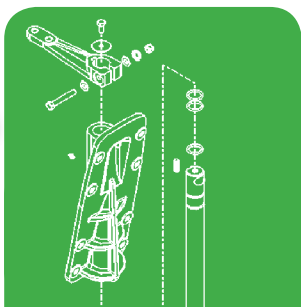
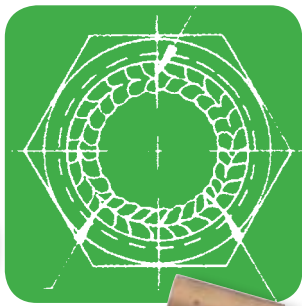
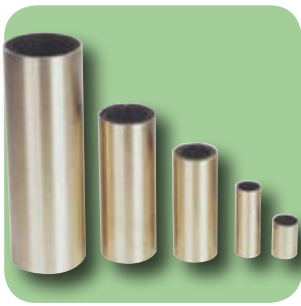
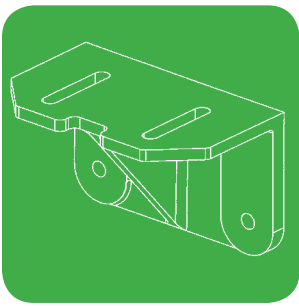
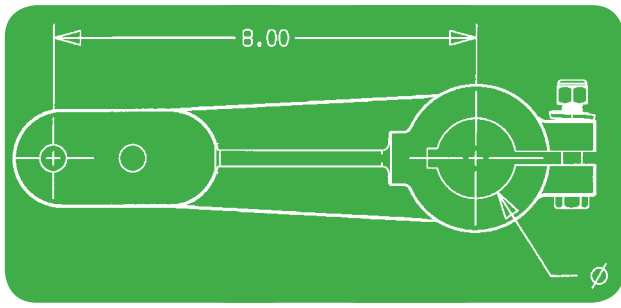
COTTER PINS

304 stainless steel.



Part No.	Size
0270S125X1.25	1/8" x 1-1/4"
0270S125X1.50	1/8" x 1-1/2"
0270S156X1.50	5/32" x 1-1/4"
0270S156X1.50	5/32" x 1-1/2"
0270S156X2.00	5/32" x 2"
0270S188X1.75	3/16" x 1-3/4"
0270S188X2.00	3/16" x 2"
0270S188X3.00	3/16" x 3"
0270S250X2.25	1/4" x 2-1/4"
0270S250X3.0	1/4" x 3"

Struts & Rudders



Struts

All struts are precision bored to meet ABYC and Navy standards for light press fit of brass-shelled rubber bearings. These interchangeable bearings are installed with stainless steel cup point set screws for a firm mechanical lock.

The length of the strut barrel (and bearing) is at least four times the diameter of the prop shaft. The thickness of the strut barrel is equal to at least one-fourth the diameter of the prop shaft. The average thickness of the leg(s) is determined by mathematical formula prescribed by

the ABYC.

ABYC and Navy standards require backing plates or backing washers with four-bolt mounting, but not with six-bolt mounting, for shaft diameters up to four inches.

We take special pride in precision machining bases of all struts so the parts are interchangeable from boat to boat, and specified shaft angles are maintained.



Marine Hardware,™ Inc., has a wide variety of standard struts available, or we can easily tool up for your production needs. We also remake struts from those damaged in the field, and offer excellent turnaround times to get the customer back on the water.

All Marine Hardware,™ Inc. struts are cast of 70 manganese bronze, a material extremely corrosion-resistant and strong, yet malleable so it does not work-harden with vibration and stress over time. We manufacture single-leg (straight base and port/starboard angled bases), Vee-struts, and competition ski boat struts.

Struts can be machined with either countersunk mounting holes for standard flat head machine screws, or with square broached holes to

firmly hold standard carriage bolts. It is now generally accepted practice to use the latter system of carriage bolts; it facilitates a rapid single-person installation during assembly, and allows the future owner to insure bolt tightness without the need for a second person under the boat holding a screwdriver.

Our Strut-Cad program generates a 2-D model and casting pattern based on the mathematical proportions of design set out by ABYC, standards of naval architecture and our in house design staff. In a matter of a few days the model, drawing and casting pattern can be generated from simple data provided: shaft diameter, shaft angle, depth (or drop), and hull angle (if port and starboard required).

HOW TO ORDER A CUSTOM STRUT

When ordering a custom strut, please call, e-mail, or fax us with the following information:
Please see appendix for custom strut worksheet.

GENERAL SPECIFICATIONS

- S = Shaft Diameter
- D = Drop (at aft end)
- B = Backsweep
- L = Barrel Length
- A = Shaft Angle
- T = Base Thickness
- C = Barrel O.D.

BASE DIMENSIONS

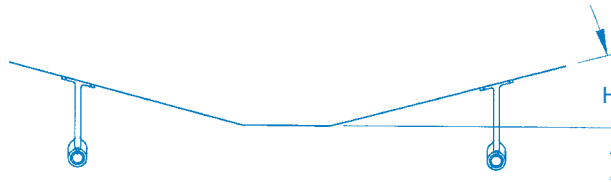
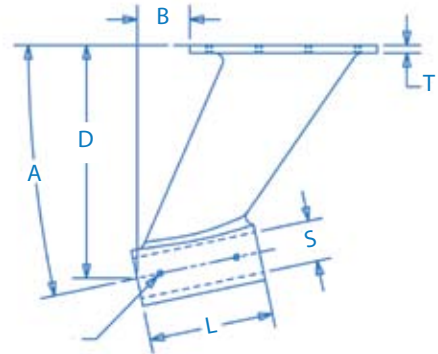
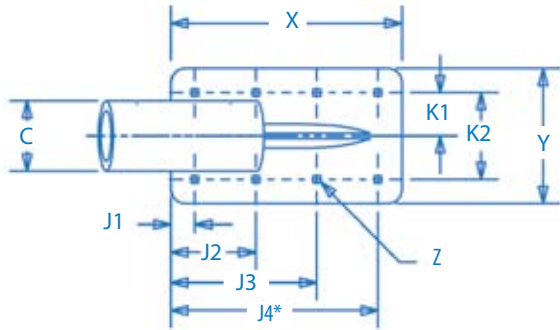
- X = Length
- Y = Width

HOLE PATTERN

- Specify plain, countersunk, or broached hole.
- Z = Nominal diameter of fasteners
- J1, J2, J3, J4 (opt), K1, K2 = Hole locations

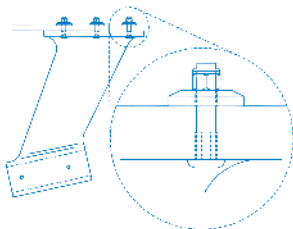
HULL ANGLE

- H = Hull Angle
- Specify port or starboard
- Does not apply to single-screw boats.



CUSTOM BACKING PLATES

Available on special order to fit all our struts.



STRUT WASHERS

These washers replace the traditional backing plate and eliminate the problem of exact alignment of mounting holes from the strut base. Proven reliable and effective in the field.

Part No.	I.D.	O.D.	Thickness	Metal
STBW.38x1.50-B	3/8"	1-1/2"	5/16"	Brass
MMWS.50X2.00	1/2"	2"	5/16"	Aluminum

Strut Bearings

Marine Hardware,™ Inc. supplies water-lubricated brass-shelled rubber bearings with all our struts and has all bearing sizes listed below available for your replacement needs during regular maintenance of vessels.

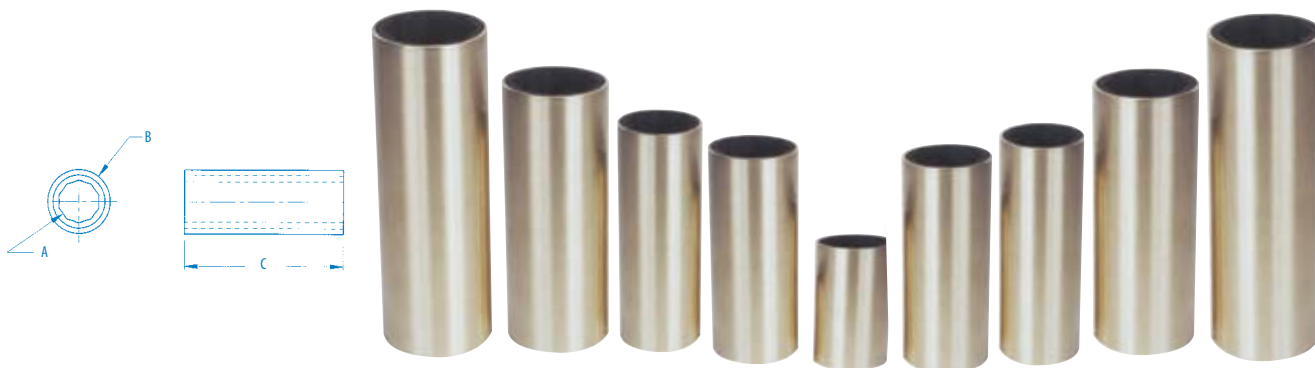
A good strut bearing reduces friction, dampens slight vibrations and misalignment, and flushes contaminants through the bearing to avoid abrasion that will mar the shaft surface. These functions are accomplished by having the bearing slightly oversized on the inside diameter, so that a thin film of water rides between the rubber surface and the stainless shaft. The grooved contour of the rubber surface is critical to the flow and circulation of water around the shaft.

A bearing worn by normal usage should be replaced during service to maintain that high level of mechanical performance. Poor water lubrication

in the bearing (usually caused by shaft misalignment or too tight a fit with the shaft) manifests itself in excessive bearing wear, transmission of shaft whip throughout the boat, and marring of the shaft surface.

When installing the strut bearing, it is important to have a light press fit between it and the bored casting, and to secure it mechanically with cup point stainless steel set screws. Be sure, however, not to collapse the bearing shell when installing the set screws, as it may then bind against the shaft.

Bearings with fiberglass outer shells are highly recommended for struts made of stainless steel, as they preclude the problem of dissimilar metals which would occur with a typical brass-shelled bearing. Fiberglass-shelled bearings with the same dimensions as listed below are available from Marine Hardware,™ Inc. by special order.



STRUT BEARINGS

Part No.	Shaft Dia.	Outside Dia.	Length
	(A)	(B)	(L)
SBRG1.00x1.25x20	1"	1-1/4"	2"
SBRG1.00x1.38x20	1"	1-3/8"	2"
SBRG1.00x1.25x40	1"	1-1/4"	4"
SBRG1.00x1.50x40	1"	1-1/2"	4"
SBRG1.00x1.62x40	1"	1-5/8"	4"
SBRG1.00x2.00x40	1"	2"	4"
SBRG1.12x1.38x20	1-1/8"	1-3/8"	2"
SBRG1.12x1.62x45	1-1/8"	1-5/8"	4-1/2"
SBRG1.12x1.75x45	1-1/8"	1-3/4"	4-1/2"
SBRG1.12x2.00x50	1-1/8"	2"	5"
SBRG1.25x1.50x50	1-1/4"	1-1/2"	5"
SBRG1.25x1.75x50	1-1/4"	1-3/4"	5"
SBRG1.25x2.00x50	1-1/4"	2"	5"
SBRG1.25x2.12x50	1-1/4"	2-1/8"	5"
SBRG1.38x1.88x55	1-3/8"	1-7/8"	5-1/2"
SBRG1.38x2.00x55	1-3/8"	2"	5-1/2"
SBRG1.38x2.12x55	1-3/8"	2-1/8"	5-1/2"

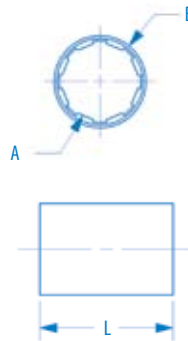
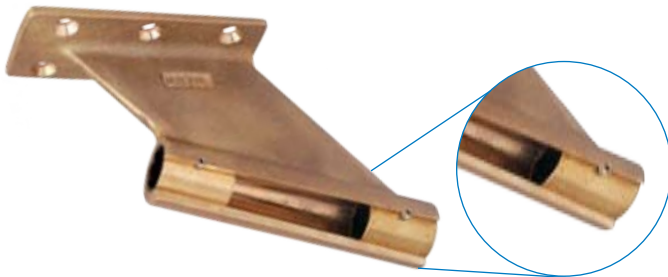
Part No.	Shaft Dia.	Outside Dia.	Length
	(A)	(B)	(L)
SBRG1.38x2.38x55	1-3/8"	2-3/8"	5-1/2"
SBRG1.50x2.00x60	1-1/2"	2"	6"
SBRG1.50x2.38x60	1-1/2"	2-3/8"	6"
SBRG1.75x2.38x70	1-3/4"	2-3/8"	7"
SBRG1.75x2.62x70	1-3/4"	2-5/8"	7"
SBRG2.00x2.62x80	2"	2-5/8"	8"
SBRG2.00x3.00x80	2"	3"	8"
SBRG2.25x2.94x90	2-1/4"	2-15/16"	9"
SBRG2.25x3.12x90	2-1/4"	3-1/8"	9"
SBRG2.25x3.38x90	2-1/4"	3-3/8"	9"
SBRG2.50x3.12x10	2-1/2"	3-1/8"	10"
SBRG2.50x3.38x10	2-1/2"	3-3/8"	10"
SBRG2.75x3.38x11	2-3/4"	3-3/8"	11"
SBRG2.75x3.75x11	2-3/4"	3-3/4"	11"
SBRG3.00x3.75x12	3"	3-3/4"	12"
SBRG3.00x4.00x12	3"	4"	12"

Ski Boat Bearing

SKI BOAT URETHANE BEARINGS

Marine Hardware™, Inc.'s proprietary blend of polyurethanes creates the ultimate ski boat strut bearing. Long endurance, thin wall, bonded to a brass shell, we can produce struts with smaller barrels allowing for a cleaner flow of water to the propeller.

Part No.	Shaft Dia.	Outside Dia.	Length
	(A)	(B)	(L)
SBRG1.12x1.38x2	1-1/8"	1-3/8"	2"



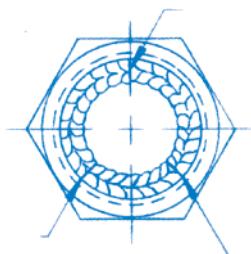
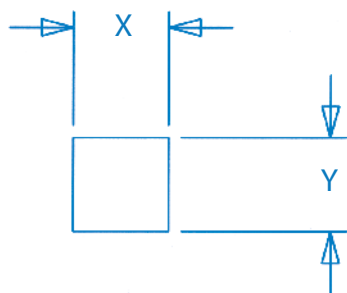
STRUTS /
RUDDERS

Packing Material

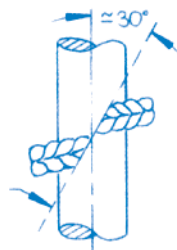
COMPOSITE PACKING MATERIALS

A high-tech non-asbestos composite fiber impregnated with virgin PTFE in-suspension and internally saturated with a proprietary lubricant. Substantially less abrasive than asbestos, yet still able to withstand temperatures up to 500° F (200° C). Excellent watertight sealing ability with less required leakage at rest to compensate for frictional heat expansion when under way. Ideal replacement for standard flax packing material in shaft stuffing box and rudder box applications. Sold in two-foot lengths and in 1 lb. spools.

Part No.		Dimensions	
2 foot length	1 pound spool	X	Y
BPKG0.125-2	BPKG0.125-1LB (43')	1/8"	1/8"
BPKG0.188-2	BPKG0.188-1LB (36')	3/16"	3/16"
BPKG0.250-2	BPKG0.250-1LB (21')	1/4"	1/4"
BPKG0.312-2	BPKG0.312-1LB (14.5')	5/16"	5/16"
BPKG0.375-2	BPKG0.375-1LB (10.8')	3/8"	3/8"
BPKG0.438-2	BPKG0.438-1LB (8.3')	7/16"	7/16"
BPKG0.500-2	BPKG0.500-1LB (6.5')	1/2"	1/2"



Stagger seams during installation.



Cut at 30°.



Hose Assemblies & Hoses

Marine Hardware™, Inc. stocks multi-ply reinforced marine hose for underwater and exhaust system applications. For custom lengths, please call or e-mail. Additional clamps available on request.

SHAFT LOG HOSE ASSEMBLIES

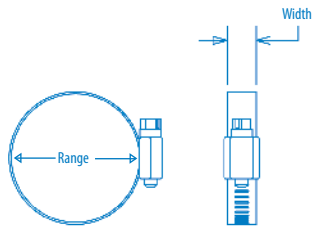
Part No.	Dia.	Length	Clamps
HOSE1.50x4CL2	1-1/2"	3-1/2"	2
HOSE1.62x4CL2	1-5/8"	3-1/2"	2
HOSE1.75x4CL2	1-3/4"	4"	2
HOSE2.00x4CL2	2"	4"	2
HOSE2.25x4CL2	2-1/4"	4"	2
HOSE2.50x4CL2	2-1/2"	5-1/2"	2
HOSE3.00x4CL2	3"	5-1/2"	2
HOSE3.50x6CL2	3-1/2"	5-1/2"	2
HOSE4.00x6CL2	4"	6"	2
HOSE4.50x8CL2	4-1/2"	8"	2
HOSE5.00x8CL2	5"	8"	2
HOSE6.00x8CL2	6"	8"	2



SHAFT LOG HOSES

Part No.	Dia.	Length
HOSE1.50X4NC	1-1/2"	4"
HOSE1.62X4NC	1-5/8"	4"
HOSE1.75X4NC	1-3/4"	4"
HOSE2.00X4NC	2"	4"
HOSE2.25X4NC	2-1/4"	4"
HOSE2.50X4NC	2-1/2"	5-1/2"
HOSE3.00X4NC	3"	5-1/2"
HOSE3.50X5.5NC	3-1/2"	5-1/2"
HOSE4.00X6NC	4"	6"

Clamps



HOSE CLAMPS

All clamps have stainless steel band and components.

Part No.	SAE	Width	Range
HSCP6D0616	MINI #4	5/16"	1/4"–5/8"
HSCP6D0822	MINI #6	5/16"	5/16"–7/8"
HSCP5D1022	#06	1/2"	3/8"–7/8"
HSCP5D1125	#08	1/2"	7/16"–1"
HSCP5D1427	#10	1/2"	1/2"–1-1/16"
HSCP5D1332	#12	1/2"	1/2"–1-1/4"
HSCP5D1832	N/A	1/2"	11/16"–1-1/4"
HSCP5D1838	#16	1/2"	11/16"–1-1/2"
HSCP5D1870	N/A	1/2"	11/16"–2-3/4"
HSCP5D2144	#20	1/2"	3/4"–1-3/4"
HSCP5D2751	#24	1/2"	1"–2"
HSCP5D3357	#28	1/2"	1-1/4"–2-1/4"

Part No.	SAE	Width	Range
HSCP5D4063	#32	1/2"	1-1/2"–2-1/2"
HSCP5D4670	#36	1/2"	1-3/4"–2-3/4"
HSCP5D5276	#40	1/2"	2"–3"
HSCP5D5782	#44	1/2"	2-1/4"–3-1/4"
HSCP5D6489	#48	1/2"	2-1/2"–3-1/2"
HSCP5D7095	#52	1/2"	2-3/4"–3-3/4"
HSCP5D76101	#56	1/2"	3"–4"
HSCP5D84108	#60	1/2"	3-1/4"–4-1/4"
HSCP5D64114	#64	1/2"	2-1/2"–4-1/2"
HSCP5D76127	#72	1/2"	3"–5"
HSCP5D92140	#80	1/2"	3-1/2"–5-1/2"
HSCP5D108152	#88	1/2"	4"–6"

Shaft Logs

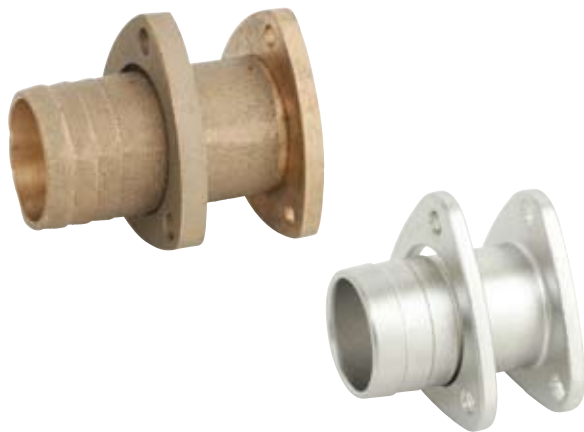
Marine Hardware,™ Inc., manufactures a variety of shaft log styles in aluminum or bronze to work in nearly all fiberglass boat applications, for any size shaft and shaft stuffing box you may have. These units are designed to be used with hose and clamps, allowing flexibility to compensate for shaft angle inaccuracies and shaft whip which is prevalent on long,

non-supported shaft areas. Industry standards recommend a yearly inspection of the shaft log, seal, and hose; hoses should be replaced every two years. Hull inserts are available to O.E.M.s for all shaft log sizes, to aid in production uses of these items.

ANGLED SHAFT LOGS

For boats without a shaft exit area cavity molded into the hull. Cast aluminum or red bronze; one size fits hose diameters of 1-1/2" and 1-5/8", shaft angles of 12°, 14°, 15° or 16°.

Part No.	Material	Fits Hose Dia.	Shaft Angle
SHLG16150-A	Aluminum	1-5/8" & 1-3/4"	15°/16°
SHLG16150-B	Bronze	1-5/8" & 1-3/4"	15°/16°
SHLG14150-B	Bronze	1-3/4"	14°
SHLG12162-B	Bronze	1-3/4"	12°



TRIANGLE FLANGE SHAFT LOGS

Cast red bronze, comes complete with backing plate. Square broached holes for simple carriage bolt installation. Available in aluminum by special order; please call or e-mail.

Part No.	Material	Fits Hose Dia.
TRFL1.625-B	Bronze	1-5/8"
TRFL1.625-S	S.S.	1-5/8"
TRFL1.750-B	Bronze	1-3/4"
TRFL2.500-B	Bronze	2-1/2"
TRFL3.000-B	Bronze	3"
TRFL3.500-B	Bronze	3-1/2"
TRFL3.500-S	S.S.	3-1/2"
TRFL4.500-B	Bronze	4-1/2"

RECTANGLE FLANGE SHAFT LOG

Cast red bronze, available for hose diameters of 1-5/8" and 1-3/4".

Part No.	Material	Fits Hose Dia.
RCFL1.625-B	Bronze	1-5/8"
RCFL1.750-B	Bronze	1-3/4"

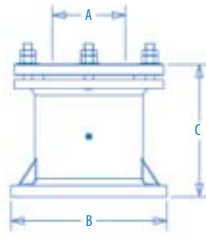


OVAL FLANGE SHAFT LOGS

Cast red bronze, available for various hose diameters of 1-3/4" – 3-1/2". 3/8" square broached holes for simple carriage bolt installation.

Part No.	Fits Hose Dia.	Neck Length
OVFL1.750-B	1-3/4"	1-3/4"
OVFL2.500-B	2-1/2"	3-1/8"
OVFL3.500-B-S	3-1/2"	3-5/8"
OVFL3.500-B-L	3-1/2"	5-1/2"

Shaft Stuffing Boxes



COMMERCIAL STYLE - Bulkhead Mount Shaft Boxes

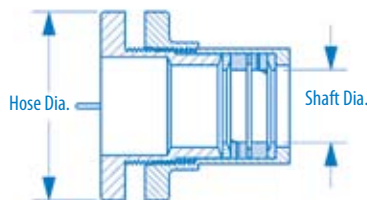
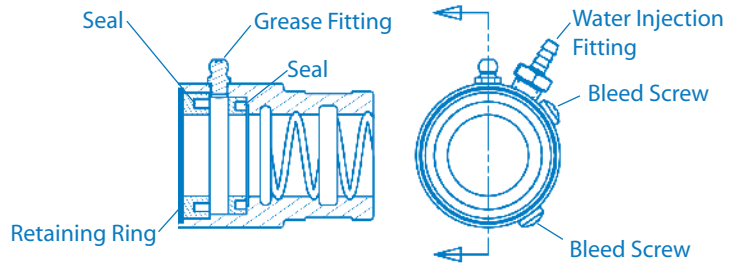
Universal style in cast red bronze with brass studs and fasteners. Available with or without lantern ring, water service, and/or special stern tube mount. Please contact our sales department with your unique specifications.

BRASS SEAL TYPE - Shaft Stuffing Boxes

This precision-machined unit incorporates a water injected double seal design. It has a grease reservoir with a self-circulating grease supply that lubricates and cools the shaft and seals, and prevents water leakage into the boat. Our design utilizes a dual seal which balances and supports the shaft load, circulates the grease, and extends the life of the shaft seals.



Part No.	For Shaft Dia.	Fits Hose Dia.
SPST1.12x1.62-B	1-1/8"	1-5/8"
SPST1.12x1.75-B	1-1/8"	1-3/4"
SPST1.00x1.62-B	1"	1-5/8"
SPST1.00x1.75-B	1"	1-3/4"
SPST1.12-SEALKIT	1-1/8"	—
SPST1.00-SEALKIT	1"	—



COMPOSITE SHAFT STUFFING BOX

Composite plastic designed for application in tournament ski boats. Durable material, assembled with teflon packing for years of faithful service.

Part No.	For Shaft Dia.	Fits Hose Dia.	Packing/Rows
SPNS-1.000D1.75	1"	1-3/4"	5/16" — 2
SPNS1.125D1.75	1-1/8"	1-3/4"	1/4" — 2

Shaft Stuffing Boxes

GLAND STYLE - Shaft Stuffing Boxes

Cast red bronze, precision machined for best quality and performance. Brass studs are provided for metal compatibility and strength. Low abrasion PTFE-impregnated composite fiber packing material included. Fittings for water-cooling and electrical grounding are available, please specify if desired. Also available in cast aluminum by special order.

Part No.	Shaft Dia.	Fits Hose	Size — Packing Rows
SPGF1.25B3.0	1-1/4"	3"	5/16" — 3
SPGF1.38B2.5	1-3/8"	2-1/2"	3/8" — 3
SPGF1.38B3.0	1-3/8"	3"	3/8" — 3
SPGF1.50-SHORT	1-1/2"	2-1/2"	1/4" — 3
SPGF1.50B2.5	1-1/2"	2-1/2"	1/4" — 3
SPGF1.75B3.0	1-3/4"	3"	5/16" — 3
SPGF1.75-SHORT	1-3/4"	3-1/2"	5/16" — 3
SPGF1.75B3.50	1-3/4"	3-1/2"	5/16" — 3
SPGF2.00B3.5	2"	3-1/2"	1/4" — 3
SPGF2.25B3.5	2-1/4"	3-1/2"	3/8" — 2
SPGF2.50B3.5	2-1/2"	3-1/2"	1/2" — 2
SPGF2.50B4.0	2-1/2"	4"	1/2" — 2



Part No.	Shaft Dia.	Fits Hose	Size — Packing Rows
SPGF2.50B4.5	2-1/2"	4-1/2"	1/2" — 2
SPGF2.75B4.5	2-3/4"	4-1/2"	N/A
SPGF3.00B4.5	3"	4-1/2"	1/4" — 3
SPGF3.50B5.0	3-1/2"	5"	N/A
SPGF4.00B6.00	4"	6"	1/2" — 2
SPGF4.50B8.0	4-1/2"	8"	1/2" — 2



NUT STYLE - Shaft Stuffing Boxes

Cast red bronze with precision-machined threads. Left hand threads available on special orders only. Coolant fittings and electrical ground screw are available if specified. Unit comes complete with packing nut, jam nut, and composite fiber PTFE-impregnated packing material. Also available in cast aluminum by special order.

Part No.	Shaft Dia.	Fits Hose	Size — Packing Rows
SPNS1.00B1.6	1"	1-5/8"	1/4" — 3
SPNS1.00B1.75	1"	1-3/4"	1/4" — 3
SPNS1.125B1.62	1-1/8"	1-5/8"	3/16" — 3
SPNS1.125B1.75	1-1/8"	1-3/4"	3/16" — 3
SPNS1.125B2.25	1-1/8"	2-1/4"	3/16" — 3
SPNS1.25B2.2	1-1/4"	2-1/4"	1/4" — 3
SPNS1.25B2.5	1-1/4"	2-1/2"	1/4" — 3
SPNS1.50B2.5	1-1/2"	2-1/2"	1/4" — 3

Part No.	Shaft Dia.	Fits Hose	Size — Packing Rows
SPNS1.75B2.5	1-3/4"	2-1/2"	5/16" — 3
SPNS1.75B3.0	1-3/4"	3"	5/16" — 3
SPNS1.75B3.50	1-3/4"	3-1/2"	5/16" — 3
SPNS2.00B3.0	2"	3"	1/4" — 4
SPNS2.50B3.5	2-1/2"	3-1/2"	3/8" — 2
SPNS2.50B4.0	2-1/2"	4"	3/8" — 2
SPNS3.00B4.5	3"	4-1/2"	N/A
SPNS3.00B5.0	3"	5"	N/A

Rudder Stuffing Boxes



GLAND STYLE

Manufactured of cast red bronze and machine finished to precise tolerances. Designed for internal mount, with a long neck below the flange for application in all hulls. Furnished with brass studs for metal compatibility and strength. Complete with flax packing in place. Backing plate available separately, please specify if desired. Mounting holes are optional so that these units may be fit to vessel under repair in the field. If you want factory-drilled holes, specify diameter and type of fasteners and hole location pattern, either machine screw or carriage bolt.

Part No.	Nom. Bore	Flange	Top Height	Neck Length	Size—Packing Rows
RBGF1.250-B	1-1/4"	4-1/2"x 4-1/2"	2-1/2"	2-3/8"	5/16" — 3
RBGF1.375-B	1-3/8"	4-1/2"x 4-1/2"	2-1/2"	3-3/8"	1/4" — 4
RBGF1.500-B	1-1/2"	4-1/2"x 4-1/2"	3-1/4"	3-1/2"	1/4" — 3
RBGF1.750-B	1-3/4"	5" x 5"	3-1/2"	3-1/2"	5/16" — 3
RBGF2.000-B	2"	6" x 4"	3-3/4"	4"	3/8" — 3
RBGF2.250-B	2-1/4"	7" x 4-3/4"	3-3/4"	4"	7/16" — 3
RBGF2.500-B	2-1/2"	7" x 4-3/4"	3-3/4"	4"	7/16" — 2
RBGF2.750-B	2-3/4"	7" x 6"	3-1/2"	3-1/2"	3/8" — 1
RBGF3.000-B	3"	7" x 6"	3-1/2"	3-1/2"	1/4" — 4
RBGF3.500-B	3-1/2"	8" x 6-1/2"	3-5/8"	3-1/2"	3/8" — 3
RBGF4.000-B	4"	8" x 6-1/2"	3-5/8"	3-1/2"	1/2" — 2
RBGF5.000-B	5"	10" x 11"	4"	6"	5/8" — 3

Also available in aluminum by special order. We also build heavy-duty extra-large rudder boxes for commercial vessels, please call, fax or e-mail your requirements.

Part No.	Nom. Bore	Flange (square)	Top Height	Flange Angle	Size—Packing Rows
RBNS1.000-0	1"	4-1/8"	3-1/2"	0° (flat)	1/4" — 2
RBNS1.125-0	1-1/8"	4-1/8"	3-1/2"	0° (flat)	3/16" — 2
RBNS1.250-0	1-1/4"	4"	4-1/2"	0° (flat)	1/4" — 2
RBNS1.375-0	1-3/8"	4"	4-1/2"	0°	3/8" — 2
RBNS1.375-15	1-3/8"	6"	4-3/8"	15°	3/8" — 2
RBNS1.375-17	1-3/8"	6"	4-3/8"	17°	3/8" — 2
RBNS1.500-0	1-1/2"	6"	5-1/2"	0° (flat)	5/16" — 2
RBNS1.500-10	1-1/2"	6"	4-1/2"	10°	5/16" — 2
RBNS1.500-12	1-1/2"	4-1/2"	5-3/4"	12°	5/16" — 2
RBNS1.500-14	1-1/2"	6"	4-3/4"	14°	5/16" — 2
RBNS1.500-15	1-1/2"	6"	4-3/4"	15°	5/16" — 2
RBNS1.500-24	1-1/2"	6"	4-1/2"	24°	5/16" — 2
RBNS1-750-0	1-3/4"	5"	6"	0° (flat)	1/4" — 3
RBNS1-750-12	1-3/4"	6-3/16"	5-3/8"	12°	1/4" — 3
RBNS2.000-0	2"	6"	6"	0° (flat)	1/4" — 2
RBNS2.000-21	2"	6-1/8"	5-11/16"	21°	5/8" — 2
RBNS2.250-0	2-1/4"	6"	6"	0° (flat)	3/8" — 2

NUT STYLE

Cast red bronze, precision-machined, complete with flax packing, packing nut, jam nut, and backing plate. Backing plate has a large cut-out so it may be installed without removing the packing nut. Slotted backing plate for easy installation. This unit provides the best support for all styles of inboard rudders. Specify holes as counter sunk or square broached. Special tooling available for all hull angles, please specify if required.



Rudder Support Bearings

RUDDER SUPPORT BEARINGS

The rudder support bearing and safety collar work together to support stress and weight in inboard rudder installations. The support bearing holds the top of the rudder post steady, maintaining alignment and reducing "leverage" stress on the rudder box. Made of cast bronze.

Part No.	Fits Post Dia.	Mounts Bolt
IRSB-1.000-B	1"	1/4"
IRSB-1.125-B	1-1/8"	1/4"
IRSB-1.250-B	1-1/4"	3/8"
IRSB-1.375-B	1-3/8"	3/8"
IRSB-1.500-B	1-1/2"	3/8"
IRSB-1.750-B	1-3/4"	3/8"
IRSB-2.000-B	2"	1/2"
IRSB-2.500-B	2-1/2"	1/2"
IRSB-3.000-B	3"	1/2"
IRSB-3.500-B	3-1/2"	1/2"



Safety Collars

SAFETY COLLARS-Stainless Steel

The stainless steel rudder safety collar support bearing work together to support stress and weight in inboard rudder installations. The safety collar ensures that the rudder will never drop down out of the boat should the tiller arm become loose for any reason, or if the rudder sustains a jarring blow such as a collision with a submerged obstacle.

Made of stainless steel, precision machined. Safety collars come complete with two stainless steel set screws.

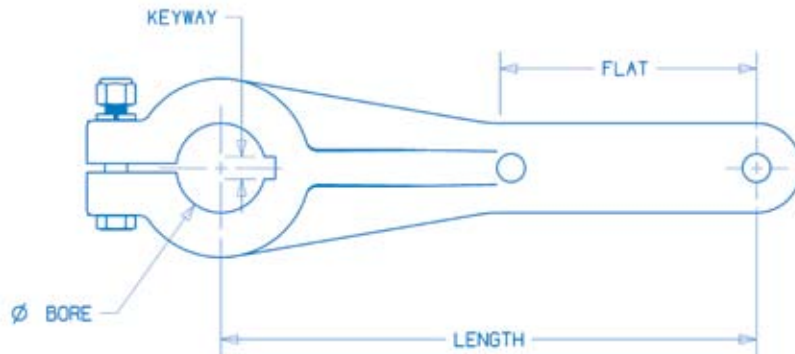
Part No.	Fits Post Dia.	Width
IRSC1.000-S	1"	3/4"
IRSC1.125-S	1-1/8"	3/4"
IRSC1.250-S	1-1/4"	1"
IRSC1.375-S	1-3/8"	1"
IRSC1.500-S	1-1/2"	1"
IRSC1.750-S	1-3/4"	1-1/4"
IRSC2.000-S	2"	1-1/4"
IRSC2.500-S	2-1/2"	1-1/2"
IRSC3.000-S	3"	1-1/2"



Tiller Arms

Tiller arms are available in cast 70 manganese bronze or investment cast stainless steel. Bronze is noted for strength and resistance to work-hardening (becoming brittle). Stainless steel is noted for unsurpassed resistance to corrosion. Bores are precision-machined to ensure compatibility with rudder posts. Clevis pin holes are drilled to precise

tolerance to prevent slack and vibration in the steering feel. All length dimensions shown in part titles or tables are measured from center of bore to center of clevis pin hole, as shown in diagram below. This allows easy steering ratio calculations. Every tiller arm comes complete with stainless steel clamping fasteners and nylock nut.



STRAIGHT-Ski Boat

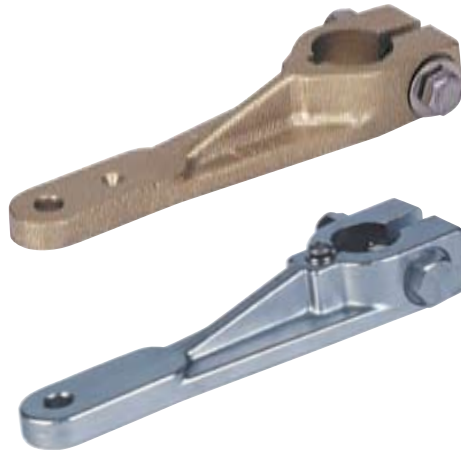
Designed especially for competition ski boats, this "flat" style is also used as a replacement part for old style inboard boats of 16 to 20 feet. The flat style with 3/8" clevis hole fits the majority of all recent steering systems in ski boats. Comes complete with stainless steel fasteners and nylock nut.

Part No.	Material	Bore Dia.	Length	Bolt	Key
TATS1.000-5	70 Mag Brz	1"	5-1/8"	Non-intersecting	1/4"
TATS1.000x5-IB	70 Mag Brz	1"	5-1/8"	Intersecting	1/4"
TATS1.000x5-S	Stainless Steel	1"	5-1/8"	Intersecting	1/4"
TATS1.000x6-IB	Stainless Steel	1"	6"	Intersecting	1/4"
TATS1.125-5	70 Mag Brz	1-1/8"	5"	Intersecting	1/4"

GOOSENECK-Ski Boat

Used extensively in many of the most current competition ski boats. Bore is offset in the vertical dimension from the level of the clevis pin hole. Comes complete with stainless steel fasteners and nylock nut.

Part No.	Material	Bore Dia.	Length	Bolt	Key	Offset
TAGN-1.000-5	70 Mag Brz	1"	5-1/2"	Intersecting	1/4"	5/8"
TAGN-1.00x5.5-1.0	Stainless Steel	1"	5-1/2"	Intersecting	1/4"	1"

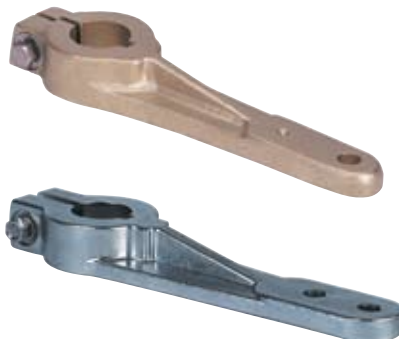


Tiller Arms

7" STANDARD TILLER ARMS

Comes complete with stainless steel fasteners and nylock nut.

Part No.	Material	Bore Dia.	Key
TAHR1.250-7	70 Mag Brz	1-1/4"	5/16"
TAHR1.375-7	70 Mag Brz	1-3/8"	5/16"
TAHR1.500-7.5S	Stainless Steel	1-1/2"	3/8"



8" STANDARD TILLER ARMS

Comes complete with stainless steel fasteners and nylock nut.

Part No.	Material	Bore Dia.	Key
TAHR1.250-8	70 Mag Brz	1-1/4"	5/16"
TAHR1.375-8	70 Mag Brz	1-3/8"	5/16"
TAHR1.500-8	70 Mag Brz	1-1/2"	3/8"
TAHR1.500-8S	Stainless Steel	1-1/2"	3/8"
TAHR1.750-8	70 Mag Brz	1-3/4"	7-16"



10" STANDARD TILLER ARMS

Comes complete with stainless steel fasteners and nylock nut.

Part No.	Material	Bore Dia.	Key
TAHL1.250-1	70 Mag Brz	1-1/4"	5/16"
TAHL1.375-1	70 Mag Brz	1-3/8"	5/16"
TAHL1.500-1	70 Mag Brz	1-1/2"	3/8"
TAHL1.750-1	70 Mag Brz	1-3/4"	7-16"



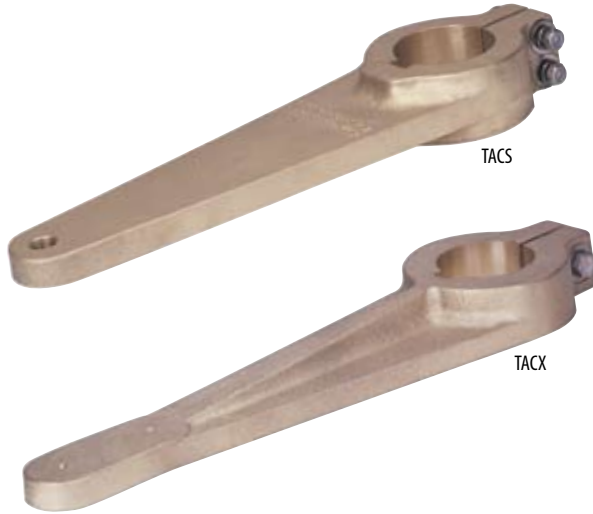
12" STANDARD TILLER ARMS

Comes complete with stainless steel fasteners and nylock nut.

Part No.	Material	Bore Dia.	Key
TAHL2.000-12	70 Mag Brz	2"	1/2"
TAHL2.250-12	70 Mag Brz	2-1/4"	9/16"
TAHL2.500-12	70 Mag Brz	2-1/2"	5/8"
TAHL2.00-6/12-X	70 Mag Brz	2"	1/2"
TAHL2.25-6/12-X	70 Mag Brz	2-1/4"	9/16"
TAHL2.50-6/12-X	70 Mag Brz	2-1/2"	5/8"



Tiller Arms



16" STANDARD TILLER ARMS

For larger motor yachts and commercial boats. Two styles to choose from, either centered arm (TACS) or flat under side (TACX). Comes complete with stainless steel fasteners and nylock nut.

Part No.	Material	Bore Dia.	Key
TACS2.000-16	70 Mag Brz	2"	1/2"
TACS2.250-16	70 Mag Brz	2-1/4"	9/16"
TACS2.500-16	70 Mag Brz	2-1/2"	5/8"
TACX2.000-16	70 Mag Brz	2"	1/2"
TACX2.250-16	70 Mag Brz	2-1/4"	9/16"
TACX2.500-16	70 Mag Brz	2-1/2"	5/8"
TACX2.750-16	70 Mag Brz	2-3/4"	5/8"
TACX3.000-16	70 Mag Brz	3"	3/4"
TACX3.500-16	70 Mag Brz	3-1/2"	3/4"



18" STANDARD TILLER ARMS

Cast of 70 manganese bronze and comes complete with stainless steel fasteners and nylock nut.

Part No.	Bore Dia.	Key
TACS3.50-18	3-1/2"	3/4"
TACS3.75-18	3-3/4"	3/4"
TACS4.00-18	4"	3/4"



11-1/2" COMMERCIAL CLAMP STYLE

Our commercial choice for all retro fit applications. Will fit any shaft without removing the rudder. Cast of 70 manganese bronze and comes complete with stainless steel fasteners and nylock nut.

Part No.	Bore Dia.	Key	Length Range
TACR1.375-10	1-3/8"	5/16"	5"-10"
TACR1.500-10	1-1/2"	3/8"	5"-10"
TACR1.750-10	1-3/4"	7/16"	5"-10"
TACR2.000-10	2"	1/2"	5"-10"
TACL1.750-14	1-3/4"	7/16"	5"-14"
TACL2.000-14	2"	1/2"	5"-14"

Clevises & Tie Bars

CLEVISES

We manufacture steering tie-bars of 1" or 1-1/8" diameter stainless steel barstock for greatest strength and corrosion resistance. Ends are turned and threaded to 1"-12 at both ends to accommodate our clevises, which fit virtually any tiller arm. Assemblies include jam nuts as shown.

Part No.	Material	Thread	Pin Hole
CLVS1.00-0.50-B	70 Mag Brz	1"-12 UNF-2B	1/2"
CLVS1.00-0.50-S	S.S.	1"-12 UNF-2B	1/2"
CLVS1.00-0.75-B	70 Mag Brz	1"-12 UNF-2B	3/4"
CLVS1.00-0.75-S	S.S.	1"-12 UNF-2B	3/4"



STEERING CLAMP

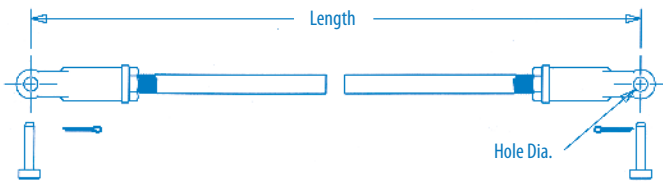
Part No.	Material
SSBT00001	SS

Unique design works with all Marine Hardware,™ Inc. tie bars. Can easily be added to existing systems.



TIE BARS

Tie-bars are custom made to your specified dimensions and clevis-pin holes drilled to your specification of pin diameter (Clevis-pins available on request). Please call, fax or e-mail for a quote.



Motor Mounts

MOTOR MOUNTS

All Marine Hardware,™ Inc. motor mounts are sand cast of type 713 corrosion-resistant aluminum. Generally, boatbuilders have us tool for their custom design. Send us your drawing and let us create pattern and production parts for you.

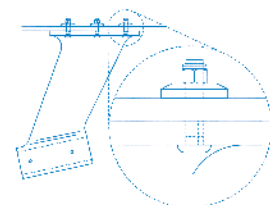
Part No.	Description
MMNT0.375-A	Motor mount with 1/2" slots & 3/8" holes
MMNT35834	Motor mount ED
MMNT53695	Motor mount with 1/2" hole (gas)
MMNT57268	Port & starboard motor mounts
MMNT59726	Motor mount gas inboard 5X5 deep w/ slots



MOTOR MOUNT WASHERS

These heavy-duty, large O.D. washer is designed specifically for motor mount use. They spread the compression load so the fiberglass is not fractured.

Part No.	I.D.	O.D.	Thickness	Metal
MMWS.50X2.00	1/2"	2"	5/16"	Aluminum
STBW.38X1.500	3/8"	1-1/2"	5/16"	Brass



Outboard Rudder Assemblies

Marine Hardware,™ Inc. is the largest manufacturer of outboard rudder assemblies in the world. Marine Hardware,™ Inc. rudder systems are designed for strength, safety, and performance; they have stood the test of time by delivering years of dependable service in the field.

Marine Hardware,™ Inc.'s outboard rudder configuration is an intelligent choice for many power boats. It allows the strut and propeller to be moved further aft, sending prop noise behind the boat; it also allows use of a shallow shaft angle, which improves efficiency. This design lets the entire power plant be moved aft, in cases where interior bulkhead and engine room locations are critical.

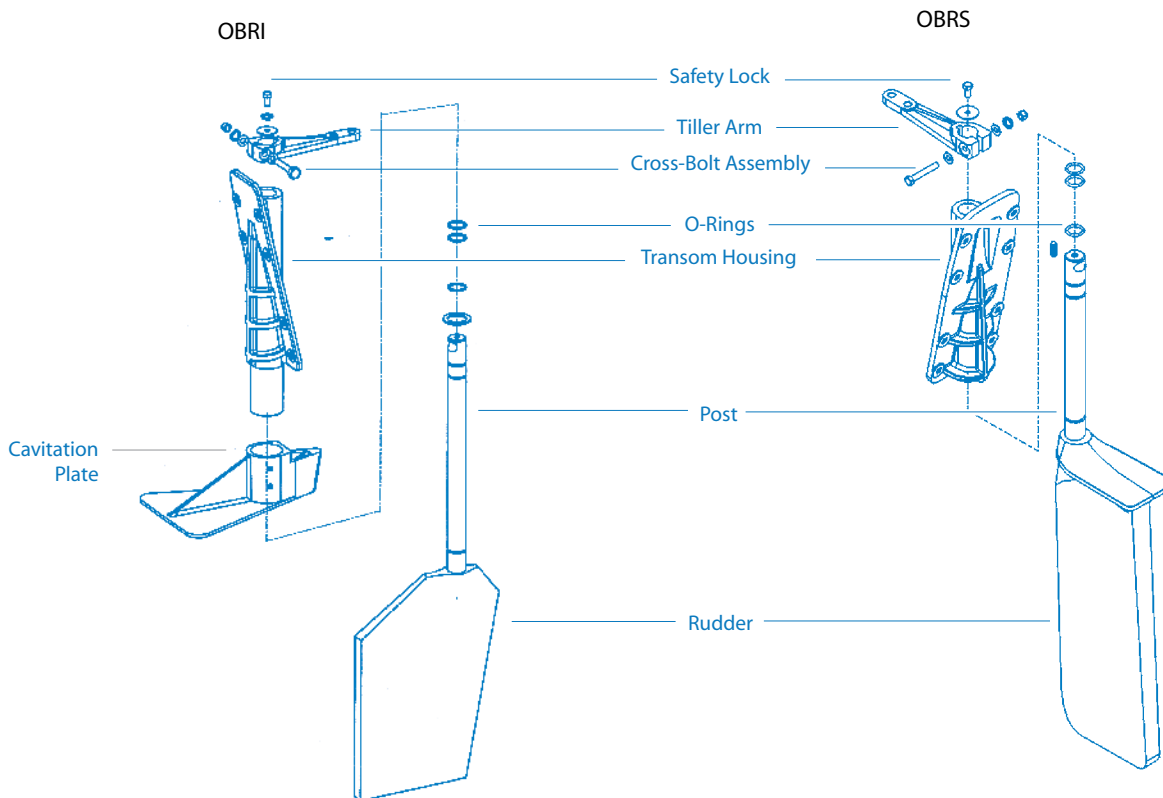
Outstanding performance is also a major consideration in our outboard rudder design. We incorporated the maximum leading edge to optimize steering, avoiding over steering yet providing adequate control in following seas. We also manufacture special blade designs to help correct any hull problems you may encounter in either transom configuration/installation or hydrodynamics.

We offer three different styles to accommodate nearly all application criteria; we invite your questions and interest in this quality Marine Hardware,™ Inc. product.



Engineering Note: All our assemblies utilize a 70 manganese bronze blade to maximize strength and resist corrosion, yet be flexible enough to yield in high stress turns and not work-harden. This blade is cast directly onto the stainless steel post, a process

perfected by Marine Hardware,™ Inc. The rudder post is engineered with an integral breakaway point. Should the blade hit an obstruction, the rudder will fail, but damage to the transom housing with its potential for serious hull leakage will be minimized.



Outboard Rudder Assemblies

MODEL OBRS

Our exclusive original design with one-piece transom housing for easy installation and alignment. Multiple o-rings for assured leak protection. Standard cavitation blade angle is designed for 8° to 12° transom angle. Mounts with eight 3/8" carriage bolts, tiller arms connect with 1/2" bolts. OBRS model blades have 120 sq. inch of surface area and 160 sq. inch respectively.

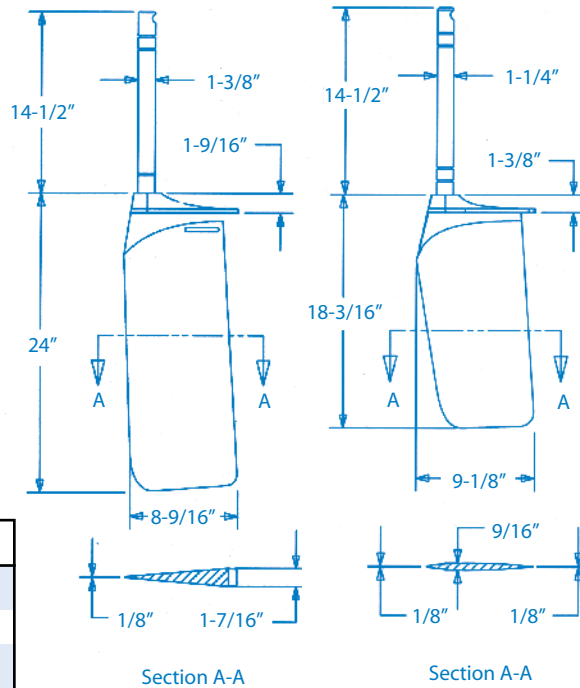
Part No.	Post Dia.	Boat Length
OBRS1.250-B	1-1/4"	28' to 32'
OBRS1.375-B	1-3/8"	32' to 46'

OBRS-Replacement Parts

Part No.	Description	Application
OBRS1.250-TRHS	Transom Housing	OBRS1.250-B
CUSTRBP6144	Blade & Post	OBRS1.250-B
OBRS1.375-TRHS	Transom Housing	OBRS1.375-B
CUSTRBP12059	Blade & Post	OBRS1.375-B

OBRS1.375-B

OBRS1.250-B



MODEL OBRI

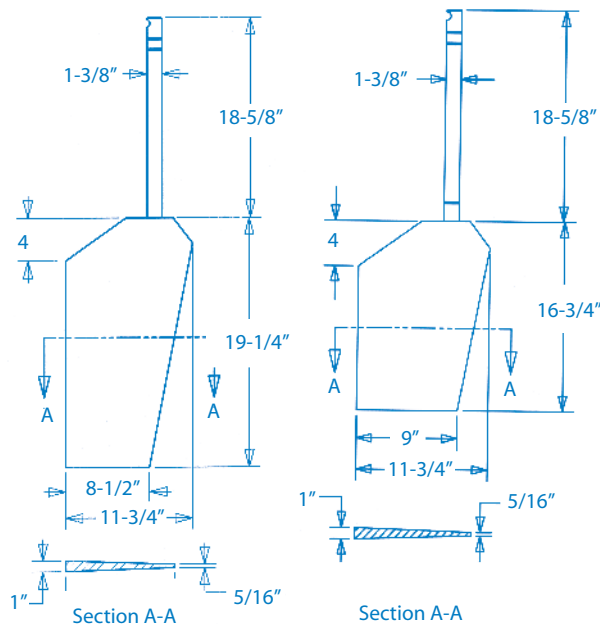
Features a separate oversized cavitation plate. In mounted position, this plate is 4" below the water surface relative to the boat bottom, and prevents air from infiltrating down to the rudder blade. This effect increases rudder pressure, resulting in better rudder performance. This blade is designed for tunnel applications. When not using tunnels, or in high speed applications, the longer-blade model is recommended to capture the high pressure from the propeller wash.

Part No.	Post Dia.	Boat Length
OBRI1.375-B	1-3/8"	28' to 46'
OBRI1.375-B-E	1-3/8"	32' to 50'

Depending on speed and steering geometry, longer tiller arms are available for these rudders. The longer-blade rudders utilize rudder posts made of material with torsional yield of minimum 70,000 lbs.

OBRI-Replacement Parts

Part No.	Description	Application
OBRI1.375-LTRHS	Transom Housing	OBRI1.375-B/B-E
OBRI1.375-CP	Cavitation Plate	OBRI1.375-B/B-E
CUSTRBP51251	Blade & Post	OBRI1.375-B
CUSTRBP51251-E	Blade & Post	OBRI1.375-B-E



OBRI1.375-B-E

OBRI1/375-B



Inboard Rudders

All Marine Hardware,™ Inc., rudders are designed and refined from many years of boating experience, from uses such as recreational cruisers to record-setting inboard racing runabouts. Without a doubt, we are the inboard rudder design experts.

These rudders incorporate the swedging technique, wherein the bronze blade is cast on to a stainless steel post. This design allows us flexibility from boat to boat to accommodate tiller arm heights, engine stringers, upper support bearings, etc. We have also designed our family of rudders to incorporate breakaway points in the post; if an obstruction is hit, the blade and post will fail first at a point below the hull before disabling or breaking loose the rudder box itself, which would cause a life-threatening emergency.

Our rudders are all designed with an optimum leading

edge formula to suit their application. This gives the operator an easy steering wheel feel which will not pull in either direction at any point in a turn, a problem known as over steer or under steer condition.

Our inboard rudders are designed to use our rudder boxes and top bearing support. We recommend this method of installation for all inboard rudder systems. It utilizes a rudder box support parallel with the hull laminate and gains great structural strength by tying into engine stringers. This type of installation will ensure years of trouble-free performance.

For boats with inherent handling difficulties, please contact our design department to develop a rudder to perform to your handling expectations. Our years of experience creating unique rudder shapes and profiles allow us to meet any challenge with confidence and ultimate success.



STANDARD



PERFORMANCE

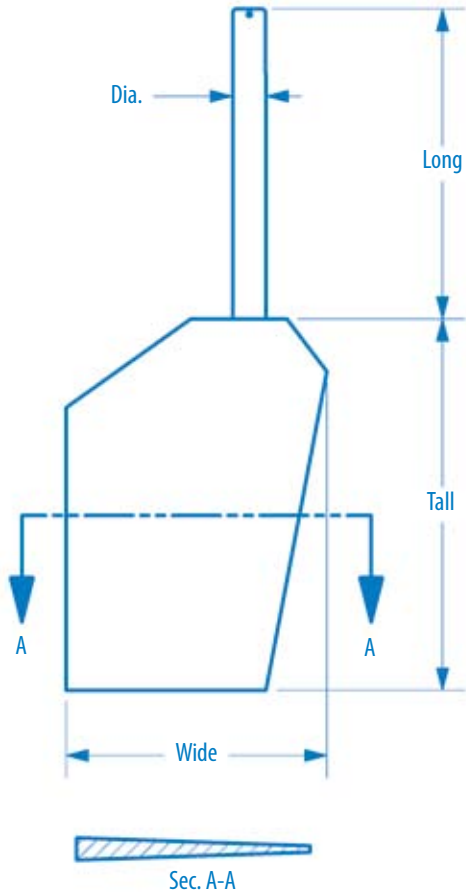


NORDIC

Inboard Rudders

PERFORMANCE STYLE

Marine Hardware,™ Inc.'s highest performance inboard rudder designed for vessels traveling 15 knots or faster. A wedge shape keeps maximum water contact on the blade shape at all speeds and eliminates drift or wander. This shape typically weighs significantly more than its standard counterpart. If speed and performance is desired, this is the perfect choice. Available in all sizes from 1" to 2-1/2" post. This high performance rudder as with all Marine Hardware,™ Inc.'s units includes a integral breakaway post design. All performance style rudders come complete with a standard stainless steel post. All blades are standard 10% leading edge.



RPBC INBOARD RUDDERS

Cast of 70 manganese bronze, stainless steel post . 10% leading edge.

Part No.	Blade		Post	
	Tall	Wide	Dia.	Long
RPBC1712-1.25	17"	12"	1-1/4"	Specify
RPBC1712-1.38	17"	12"	1-3/8"	Specify
RPBC1712-1.50	17"	12"	1-1/2"	Specify
RPBC2012-1.25	20"	12"	1-1/4"	Specify
RPBC2012-1.38	20"	12"	1-3/8"	Specify
RPBC2012-1.50	20"	17"	1-1/2"	Specify
RPBC2012-1.75	20"	17"	1-3/4"	Specify
RPBC2415-1.38	24"	15"	1-3/8"	Specify
RPBC2415-1.50	24"	15"	1-1/2"	Specify
RPBC2415-1.75	24"	15"	1-3/4"	Specify

Part No.	Blade		Post	
	Tall	Wide	Dia.	Long
RPBC2417-1.50	24"	17"	1-1/2"	Specify
RPBC2417-1.75	24"	17"	1-3/4"	Specify
RPBC2417-2.00	24"	17"	2"	Specify
RPBC2917-2.00	29"	17"	2"	Specify
RPBC2917-2.25	29"	17"	2-1/4"	Specify
RPBC2917-2.50	29"	17"	2-1/2"	Specify
RPBC2917-2.75	29"	17"	2-3/4"	Specify
RPBC3626-3.50	36"	26"	3-1/2"	Specify

Inboard Rudders

STANDARD INBOARD RUDDER

Marine Hardware,™ Inc.'s standard inboard rudder family incorporates the maximum blade area that can be supported with the corresponding rudder post diameter.

The standard rudders are designed to optimize value of shape versus weight and typically work well with most hull shapes.

All standard inboard rudders have 10% leading edge to provide easy steering. As with all Marine Hardware,™ Inc. rudders, a standard post is swaged into bronze casting and designed with an integral breakaway point.

This design also works well with all inboard boats utilizing tunnels or pockets relieving pressure during turning maneuvers with the blade blocking the tunnel exit.

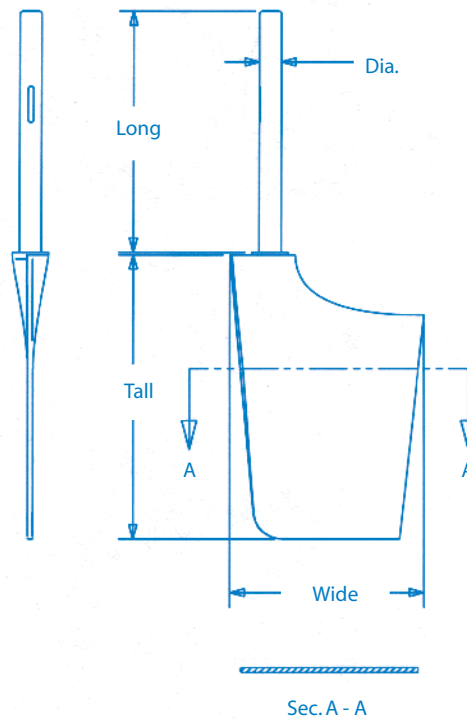
From tournament ski boats to charter vessels, thousands of our standard rudder applications are successfully in use today.



STANDARD INBOARD RUDDERS

Cast of 70 manganese bronze, stainless steel post. 10% leading edge.

Part No.	Blade		Post	
	Tall	Wide	Dia.	Long
RPTR1.000-B	13"	8-1/2"	1"	Specify
RPTR1.125-B	13"	8-1/2"	1-1/8"	Specify
RPTR1.250-B	13"	8-1/2"	1-1/4"	Specify
RPII1.250-B	15"	9"	1-1/4"	Specify
RPII1.375-B	15"	9"	1-3/8"	Specify
RPIM1.250-B	17"	11-1/2"	1-1/4"	Specify
RPIM1.375-B	17"	11-1/2"	1-3/8"	Specify
RPIL1.250-B	20"	12"	1-1/4"	Specify
RPIL1.375-B	20"	12"	1-3/8"	Specify
RPIL1.500-B	20"	12"	1-1/2"	Specify



Inboard Rudders

NORDIC STYLE

The oversized blade configuration is designed for vessels 35 to 65 feet long. Also for vessels that move at slower speeds to 15 knots, yet still want great docking maneuverability.

This blade shape uses a 20% leading edge and is also recommended on vessels that have a center keel. The extreme leading edge offsets the keel steering effects.

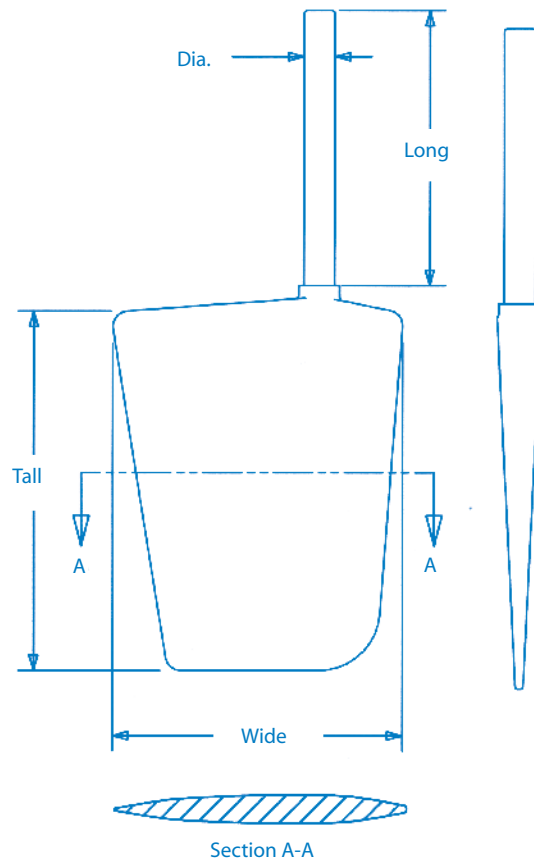
Cast of 70 manganese bronze and is manufactured with a stainless steel post. Available for vessels 35 feet and larger. Post sizes begin at 1-1/2" to 2-1/2". All Nordic blades utilize an airfoil shape and are tapered from top to bottom.



RPIX INBOARD RUDDERS

Cast of 70 manganese bronze, stainless steel post. 20% leading edge.

Part No.	Blade		Post	
	Tall	Wide	Dia.	Long
RPIX2012-1.50	20"	12"	1-1/2"	Specify
RPIX2517-1.50	25"	17"	1-1/2"	Specify
RPIX2517-1.75	25"	17"	1-3/4"	Specify
RPIX2519-1.75	25"	19"	1-3/4"	Specify
RPIX2519-2.00	25"	19"	2"	Specify
RPIX2519-2.25	25"	19"	2-1/4"	Specify
RPIX3019-2.00	30"	19"	2"	Specify
RPIX3019-2.25	30"	19"	2-1/4"	Specify



Tournament Ski Boat Rudder Assemblies

Marine Hardware,™ Inc., carries a complete line of unique rudders for enhanced performance of competition ski boats. In this type of boat, handling often makes the difference between winning and losing. The boat must work for the skier, not create a new set of obstacles. Marine Hardware,™ Inc. rudder assemblies are original equipment on many major competition ski boats and the number is increasing all the time.

The benefits of factory-assembled rudder systems are assurance of quality workmanship, fast and easy installation, and ease of replacement

if repair is needed. As with our larger rudders, the 70 manganese bronze blade is cast on to the stainless steel post, assuring greatest strength and corrosion resistance.

All posts are one inch diameter, and several different blade configurations are readily available, for OEM or replacement use. We can also manufacture rudders to your specs, working with you to create a blade to optimize the handling characteristics of your boat design.



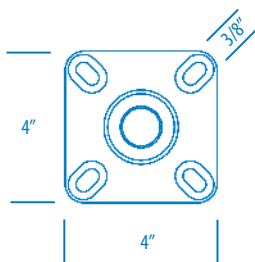
TOURNAMENT SKI BOAT RUDDER ASSEMBLIES

Competition ski boat rudder assemblies, with two mounting options for the rudder box. This complete assembly includes RPTN rudder, our seal-type rudder box with backing plate, and the tiller arm. Thru-bolt in tiller arm intersects at rudder post.

Option 1: For customer service repair/replacement parts, the rudder box has slots (with countersink angles around the edges of the slots) for easy match-up and mounting in any existing holes in the boat. The backing plate is also slotted.

Option 2: For OEM's, the rudder box is available with regular countersunk holes, or as you may specify.

All components are pre-assembled in our factory. For OEM's, this saves time in assembly, inventory, and purchasing departments. For repair/replacement jobs, this means no hassles with leaky seals, parts that don't mate, etc. Can be keyed port or starboard, please specify.



Allows for simple retro-fit to all existing tournament ski boats.

Part No.	Description
RPTN1.00ASSY	Std. countersink holes
RPTNSLOTRBSTASSY	Slotted

Note: As a repair/replacement part, will not fit Mastercraft Tri-Star and 86 Malibu Skier.

Tournament Ski Boat Rudders

ARC RUDDER™ - Adjustable Rudder Control (patent pending)

Marine Hardware,™ Inc.'s Adjustable Rudder Control (ARC) system provides safe and stable steering precision for tournament ski and wakeboard boats. Typically, most single inboard boats drive with a "load" on the steering wheel that causes the boat to turn right when the wheel is released. Load can sometimes be removed by meticulous fine tuning the boat's running gear and steering system. The result can remove the load but leave play in the steering wheel, allowing the boat to wander off course without constant steering correction. The ARC rudder solves both problems. With its patent pending "window tab," the rudder can easily be fine tuned to suit the boat and the driver. On powered units the driver can actually set the rudder to the right amount of rudder feedback while underway. On manual units a set screw adjustment holds the tab in the optimal position to remove steering load without imparting play.

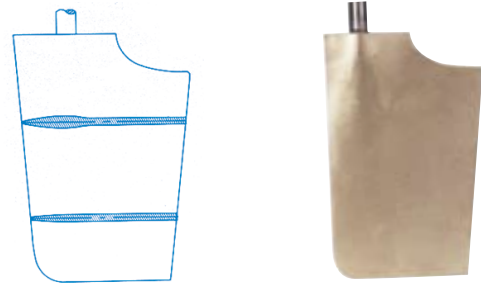
Part No.	Description
RPTT-1.00ASM-P	Powered
RPTT-1.00ASM-M	Manual



MODEL RPTR - (Regular)

A universal application blade, giving best results on boats of 16' to 22'.

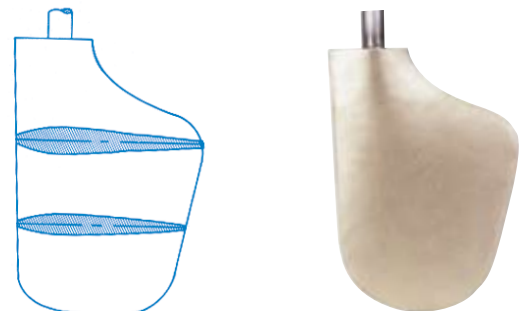
Part No.	Blade		Post	
	Tall	Wide	Dia.	Long
RPTR1.000-SP	13-3/8"	8-1/2"	1"	5-3/4"



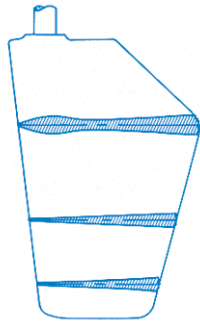
MODEL RPTA - (Air Foil)

A high-performance airfoil blade with a balanced 12% leading edge. Gives a power steering feel, yet minimizes water disturbance.

Part No.	Blade		Post	
	Tall	Wide	Dia.	Long
RPTA1.000-SP	12-1/2"	8-1/2"	1"	5-3/4"



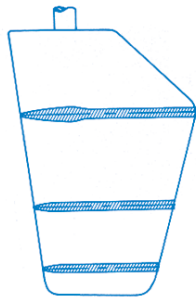
Tournament Ski Boat Rudders



MODEL RPTE - (Extreme Pressure)

Best feel for steady straightaways with no tendency for the boat to wander. Trailing edge is cupped much like performance propellers.

Part No.	Blade		Post	
	Tall	Wide	Dia.	Long
RPTE1.000-SP	13"	8-1/4"	1"	5-3/4"



MODEL RPTN - (No Pressure)

An enhanced wedge blade, with radiused trailing edge, creates least turbulence for the skier. Widely used on the most recent ski boat models.

Part No.	Blade		Post	
	Tall	Wide	Dia.	Long
RPTN1.000-SP	13"	8-1/4"	1"	5-3/4"

Turn Fins

Marine Hardware,™ Inc. proudly makes the most competitive product line of ski boat turn fins. Cast from rugged 70 manganese bronze, skillfully crafted to fit all boat builders from flat bases to V-based. Profiles and cross sections are engineered to work on every boat made today and yesterday. Blunt nose style to limit noise, hi-aspect ratio to maximize bite in turns, to the original challege style designed for optimum tracking while pulling a skier through tournament boats.



Turn Fins

Marine Hardware,™ Inc., cast type 70 manganese bronze both for flat base and V-base competition standard ski boat fins. The bases are machined and CNC—drilled for easy installation. We can also tool up and manufacture custom turn fin designs.

STANDARD FLAT BASE TURN FIN

Standard flat base fin is cast 70 manganese bronze. Fits most applications. Custom bolt patterns are available.

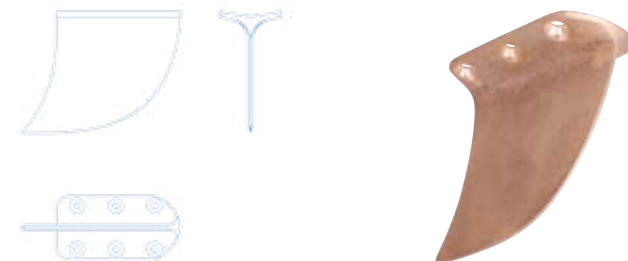
Part No.	Base Dimensions	Blade Depth	Material
TURN6.00F-B	4" x 6"	6-3/4"	Bronze



STANDARD V-BASE TURN FIN

Standard V-base is cast 70 manganese bronze and is designed to fit most boats that were not built with a flat keel area. Custom bolt patterns are available.

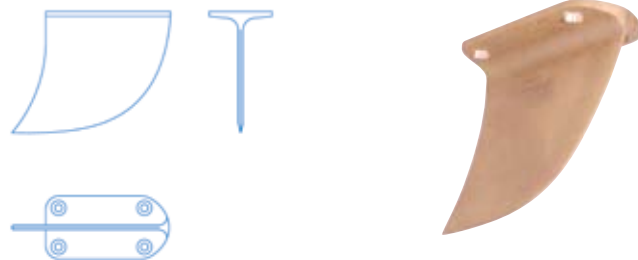
Part No.	Base Dimensions	Blade Depth	Material
TURN6.00V-B	3-1/4" x 6-7/8"	6"	Bronze



BLUNT NOSE TURN FIN

Full radiused leading edge to airfoil shape. Designed primarily for noise reduction.

Part No.	Base Dimensions	Blade Depth	Material
TURN2010	3-1/2" x 6-1/2"	6"	Bronze



HI-ASPECT RATIO TURN FIN

Traditional hi-aspect ratio fin provides great handling with reduced noise on the hull. Desinged for three units per boat.

Part No.	Base Dimensions	Blade Depth	Material
TURNACHELON-F-B	2-5/16" x 9"	5-13/16"	Bronze
TURNACHELON-F-S	2-5/16" x 9"	5-13/16"	S.S.



CHALLENGER TURN FIN

A large surface area for when a boat has only access for one fin. Shaped trailing edge for noise reduction. Available in stud mount or countersunk holes.

Part No.	Base Dimensions	Blade Depth	Material
TURN2020	3" x 11-35/64"	8"	Bronze



SERVICE PARTS

Boatyards and Repair Shops

Prop Shafts, Struts, Rudders, Turn Fins, etc.

For all types of boats – Yachts, Cruisers, Sport fishers, Competition Ski Boats, Commercial and Fishing Vessels



Our shop is set up to expedite your urgent replacement part orders. We can fill your order in as little as one day, when extra rush service is requested.

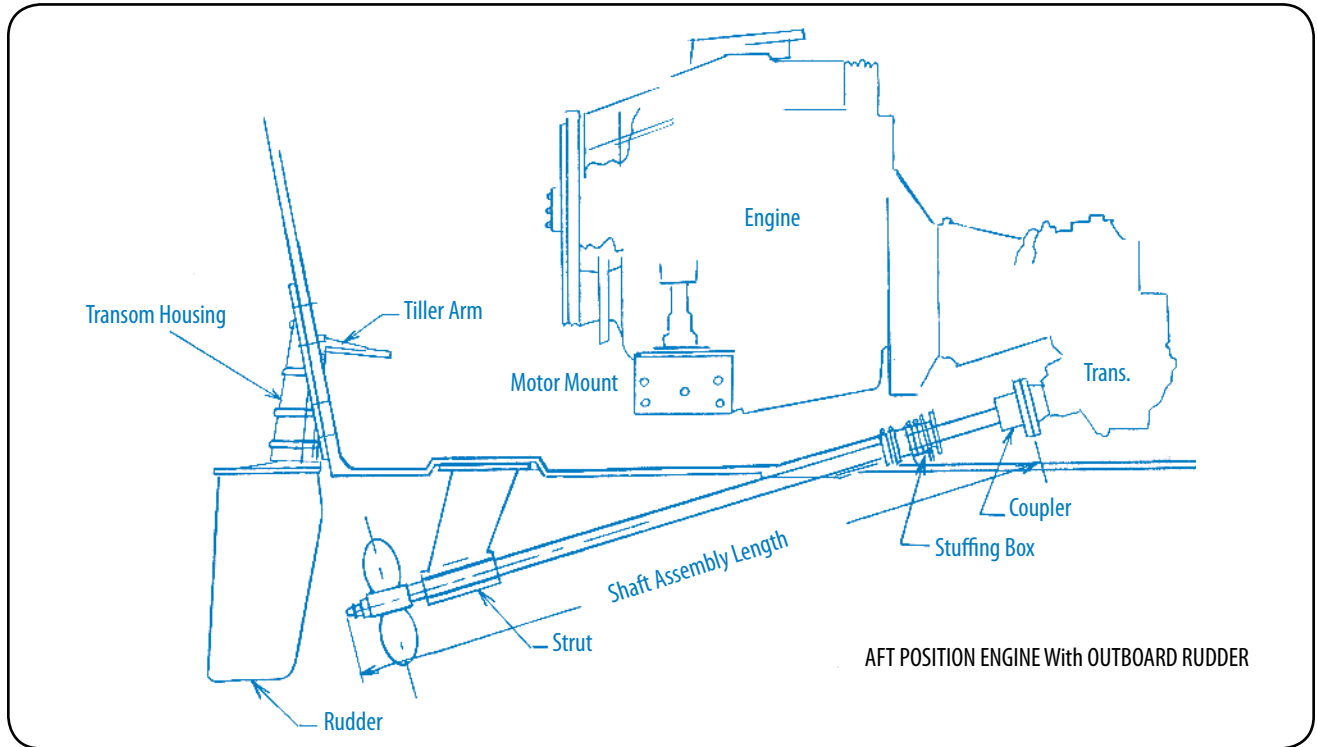


We machine top quality prop shaft assemblies and other underwater hardware quickly, to your exact specifications. Fax us a sketch or diagram with pertinent dimensions, or simply send us the bent or broken part and we can cast and machine a duplicate.

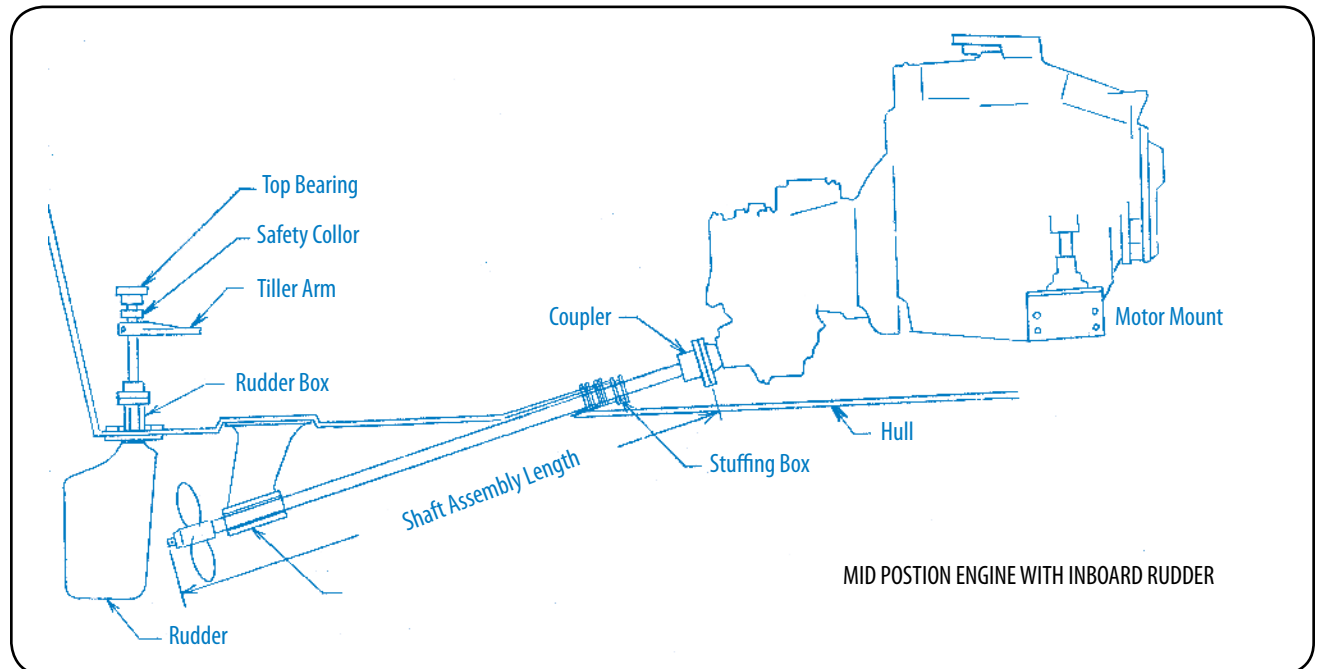


We have hundreds of patterns in stock for struts, rudders, fins, etc., and also keep an extensive finished inventory in our warehouses.

Next-Day Custom Part Service Available



**Call our toll-free number to order
(800) 526-5971**



INBOARD RUDDER WORKSHEET

Standard

GENERAL SPECS NEEDED

Post Dia. (D): _____

Post Length Above Blade (L): _____

Key Length (K): _____

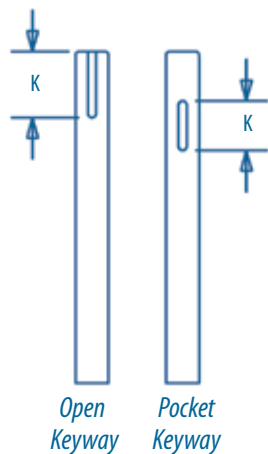
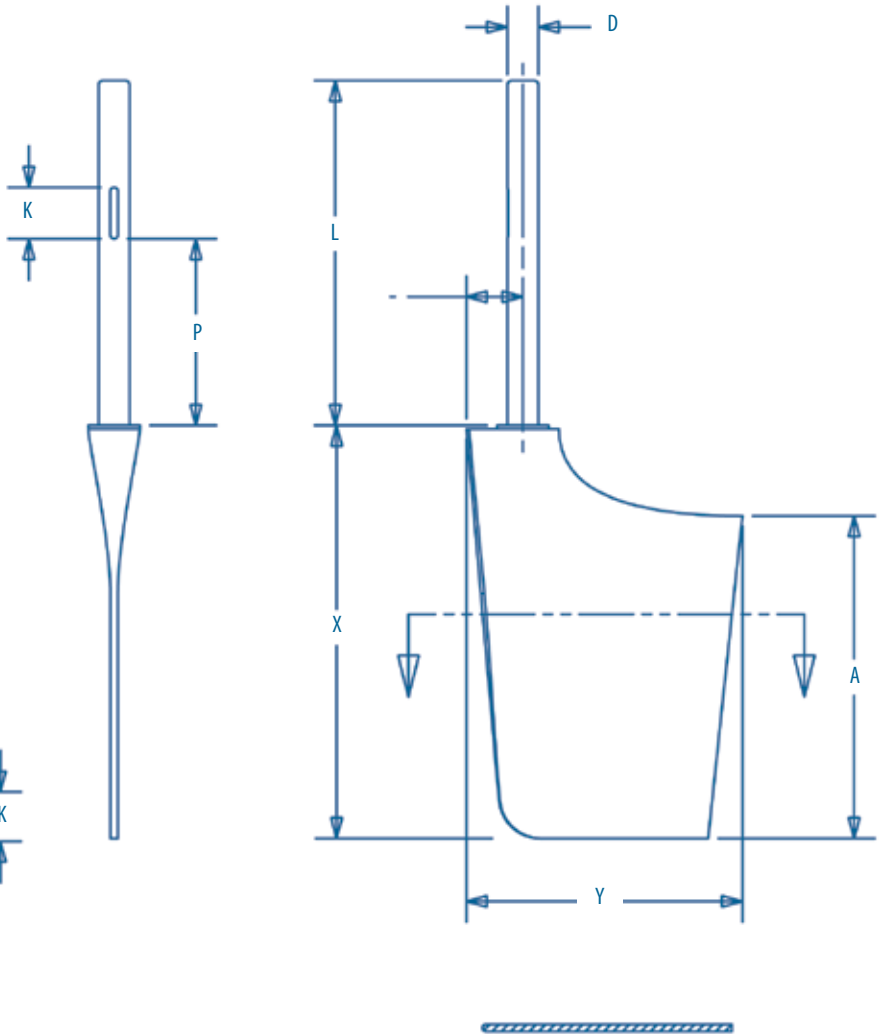
Height of Blade (X): _____

Width of Blade (Y): _____

Distance From Cast Line of Blade to Bottom of Keyway (P): _____

Distance from top of post to bottom of keyway-Alternative (Q): _____

Keyway Location: *Forward Aft Port Starboard*



Your Company: _____
 Your Name: _____
 Phone: _____
 Your Email: _____
 Boat Manufacturer: _____
 Year: _____ Boat Length: _____

MARINE HARDWARE <small>INC.</small>	
Redmond, WA Phone: (800) 526-5971 FAX: (425) 869-1232	Ormond Beach, FL Phone: (386) 677-0687 FAX: (386) 676-3869
Email: info@marinehardware.com	

INBOARD RUDDER WORKSHEET

Nordic

GENERAL SPECS NEEDED

Post Dia. (D) : _____

Post Length Above Blade (L): _____

Keyway Length (K): _____

Height of Blade (X): _____

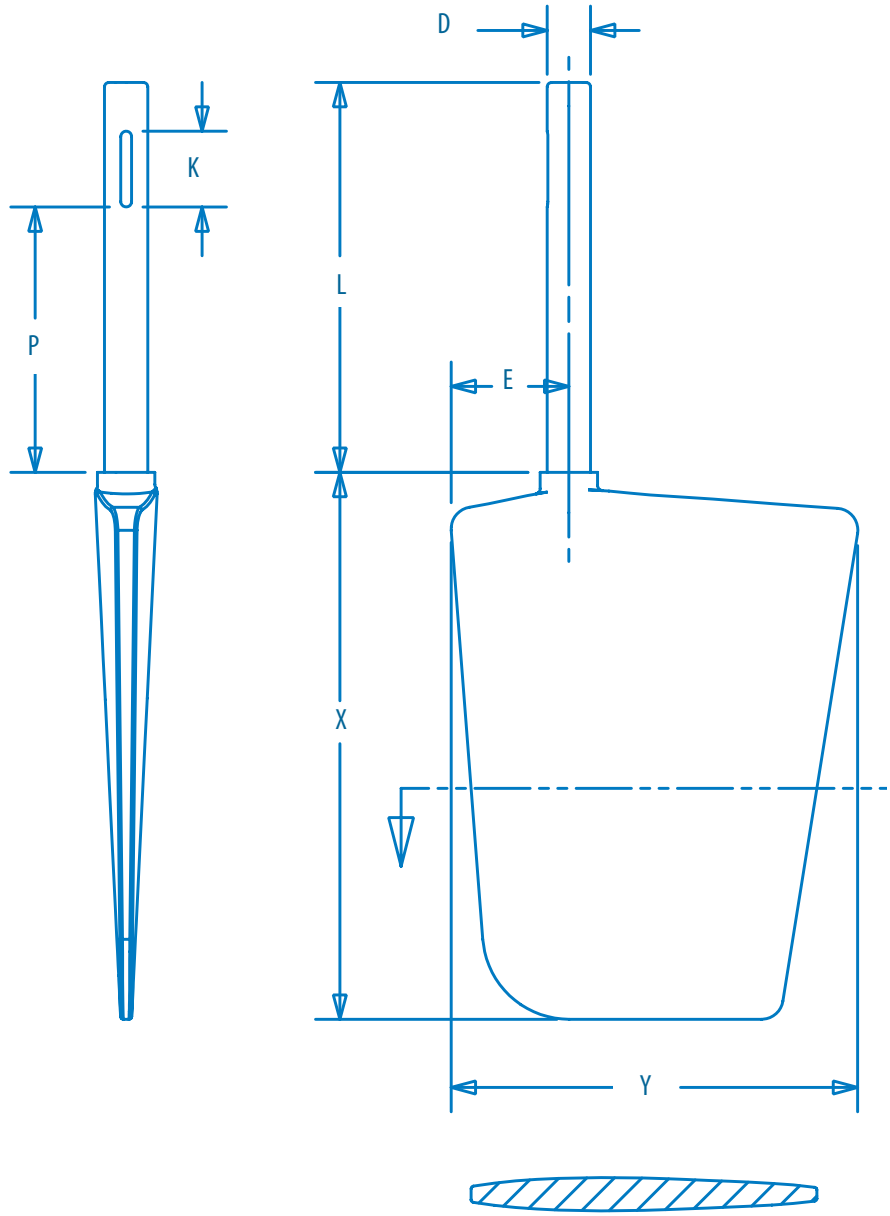
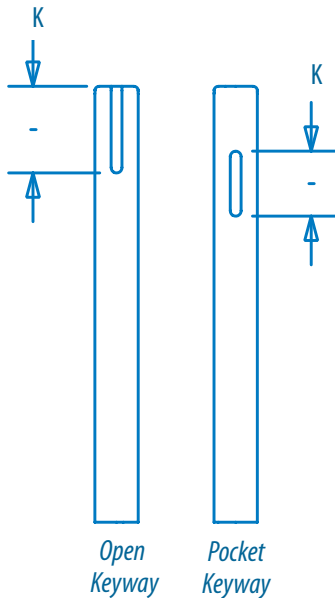
Width of Blade (Y): _____

Leading Edge (E): _____

Distance From Cast Line of
Blade to Bottom of Keyway (P): _____

Keyway Location: *Forward Aft Port Starboard*

Keyway Style: *Open Keyway Pocket Keyway*



Your Company: _____
 Your Name: _____
 Phone: _____
 Your Email: _____
 Boat Manufacturer: _____
 Year: _____ Boat Length: _____

MARINE HARDWARE	
Redmond, WA Phone: (800) 526-5971 FAX: (425) 869-1232	Ormond Beach, FL Phone: (386) 677-0687 FAX: (386) 676-3869
Email: info@marinehardware.com	

INBOARD RUDDER WORKSHEET

Performance

GENERAL SPECS NEEDED

Post Dia. (D) : _____

Post Length Above Blade (L): _____

Keyway Length (K): _____

Height of Blade (X): _____

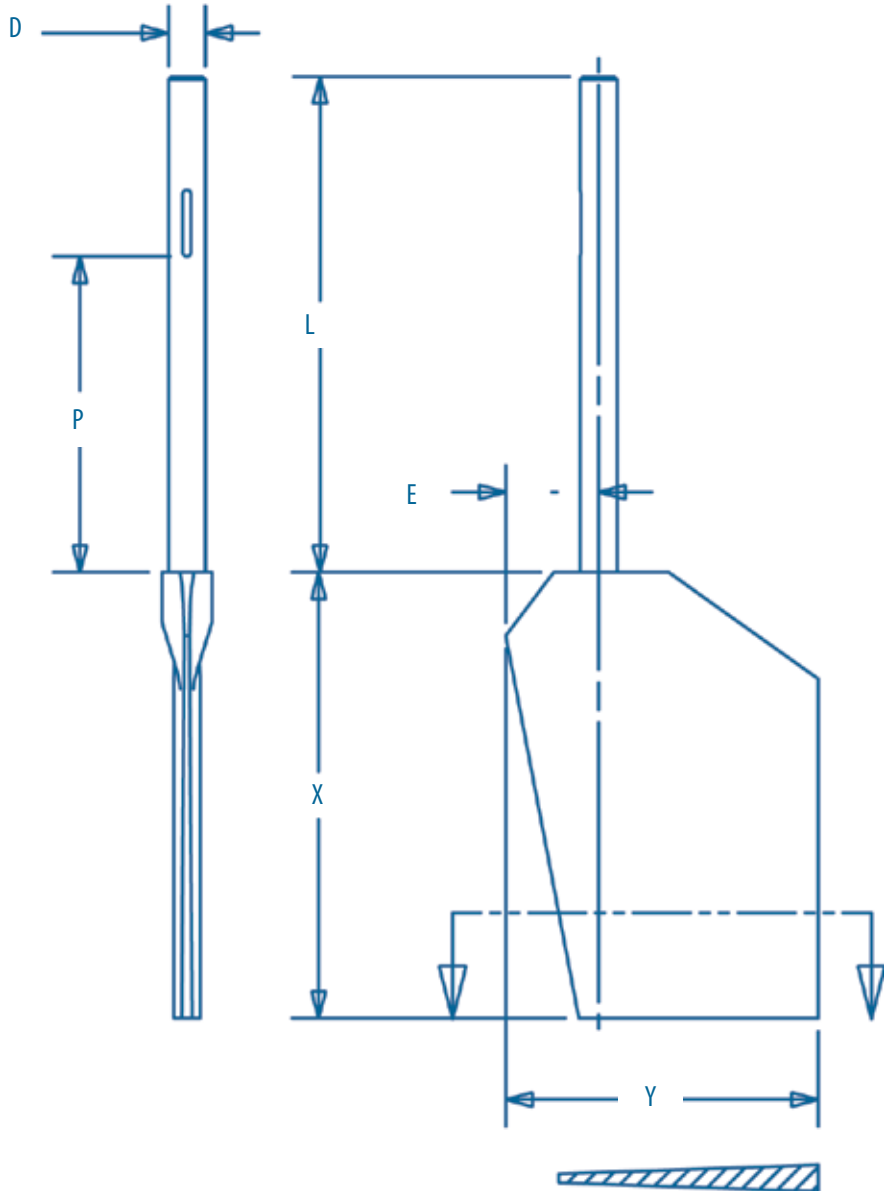
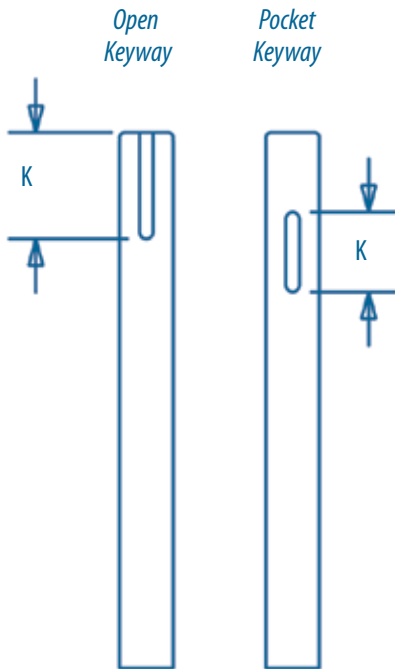
Width of Blade (Y): _____

Leading Edge (E): _____

Distance From Cast Line of
Blade to Bottom of Keyway (P): _____

Keyway Location: *Forward Aft Port Starboard*

Keyway Style: *Open Keyway Pocket Keyway*



Your Company: _____
 Your Name: _____
 Phone: _____
 Your Email: _____
 Boat Manufacturer: _____
 Year: _____ Boat Length: _____

MARINE HARDWARE <small>INC.</small>	
Redmond, WA Phone: (800) 526-5971 FAX: (425) 869-1232	Ormond Beach, FL Phone: (386) 677-0687 FAX: (386) 676-3869
Email: info@marinehardware.com	

FLAT BASE STRUT WORKSHEET

GENERAL SPECS NEEDED

Shaft Dia : _____

Shaft Angle (A): _____

Strut Bore (S): _____

Barrel O.D. (C): _____

Aft End Drop (D): _____

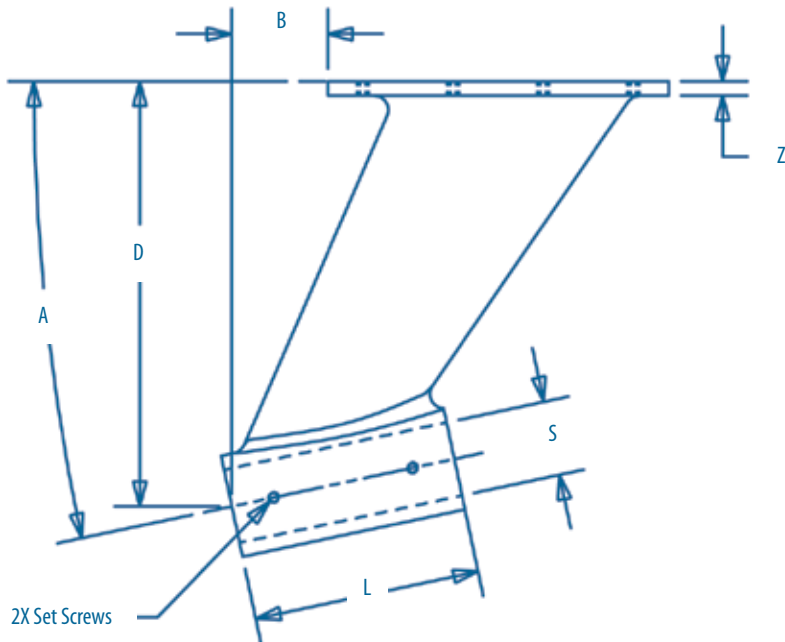
Back Sweep (B): _____

Barrel Length (L): _____

Base Length (X): _____

Base Width (Y): _____

Base Thickness (Z): _____



No. Mount Holes: _____

Dia. of Mount Holes: _____

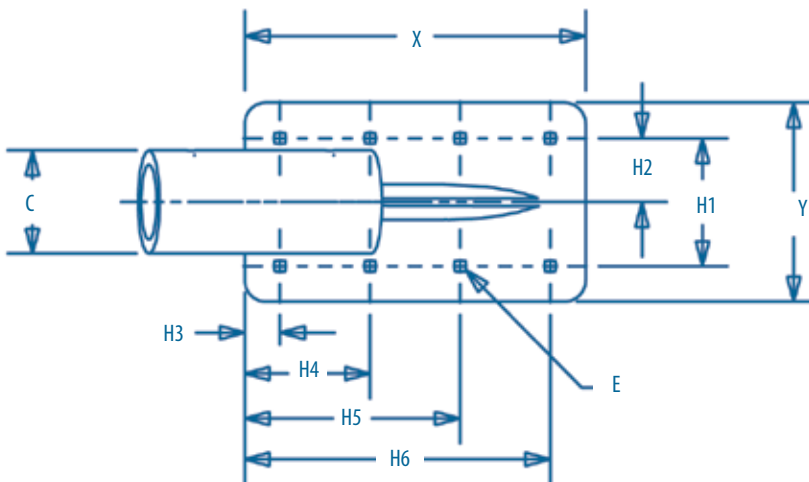
Mount Hole Type (E): _____

HOLE LOCATION

H1 _____ H4 _____

H2 _____ H5 _____

H3 _____ H6 _____



Your Company: _____
 Your Name: _____
 Phone: _____
 Your Email: _____
 Boat Manufacturer: _____
 Year: _____ Boat Length: _____

MARINE HARDWARE	
Redmond, WA Phone: (800) 526-5971 FAX: (425) 869-1232	Ormond Beach, FL Phone: (386) 677-0687 FAX: (386) 676-3869
Email: info@marinehardware.com	

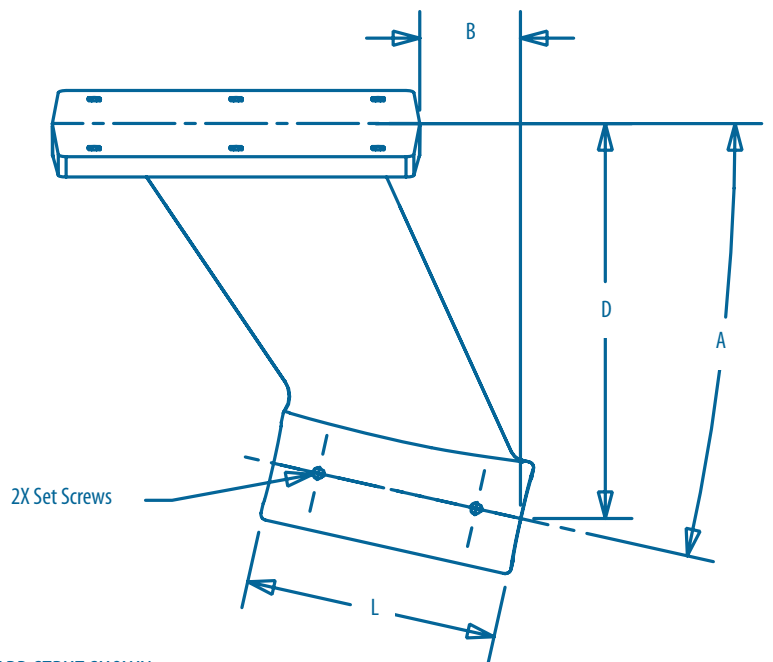
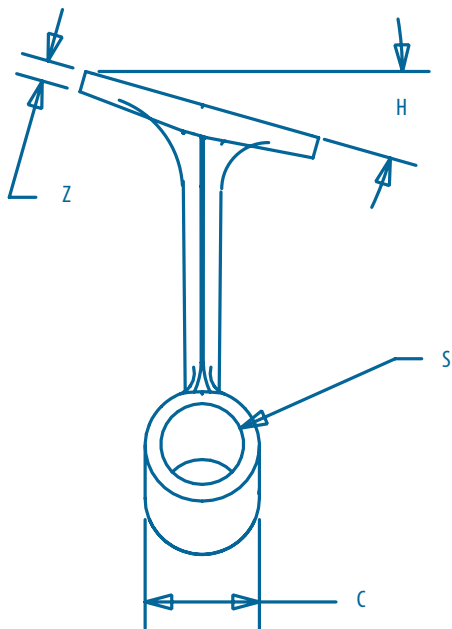
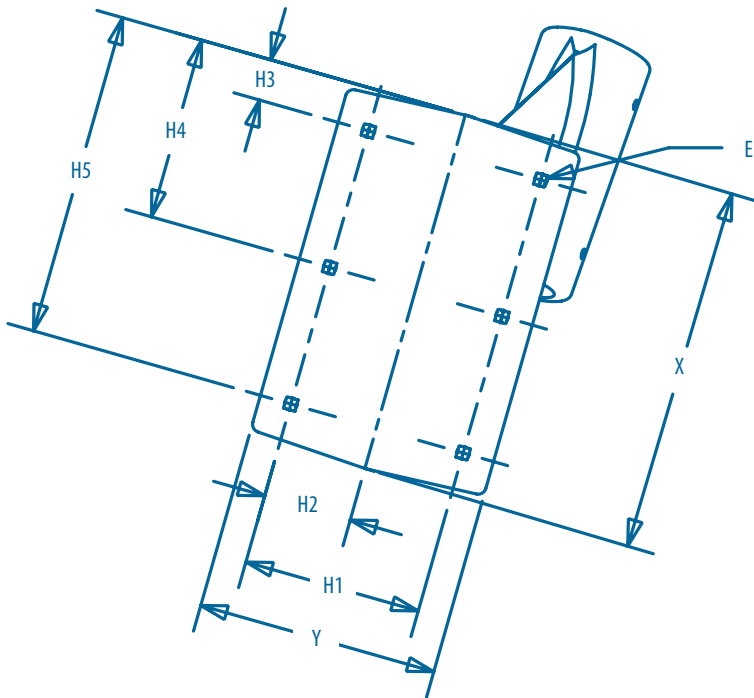
ANGLE BASE STRUT WORKSHEET

Shaft Dia : _____
 Shaft Angle (A): _____
 Hull Angle (H): _____
 Strut Bore (S): _____
 Barrel O.D. (C): _____
 Aft End Drop (D): _____
 Back Sweep (B): _____
 Barrel Length (L): _____
 Base Length (X): _____
 Base Width (Y): _____
 Base Thickness (Z): _____

No. Mount Holes: _____
 Dia. of Mount Holes: _____
 Mount Hole Type (E): _____

HOLE LOCATION

H1 _____ H4 _____
 H2 _____ H5 _____
 H3 _____ H6 _____



STARBOARD STRUT SHOWN.
 PORT IS MIRROR OPPOSITE.

Your Company: _____
 Your Name: _____
 Phone: _____
 Your Email: _____
 Boat Manufacturer: _____
 Year: _____ Boat Length: _____

MARINE HARDWARE
INCORPORATED

Redmond, WA Phone: (800) 526-5971
 Ormond Beach, FL Phone: (386) 677-0687
 FAX: (425) 869-1232 FAX: (386) 676-3869

Email: info@marinehardware.com

SKI BOAT STRUT WORKSHEET

GENERAL SPECS NEEDED

Shaft Dia : _____

Shaft Angle (A): _____

Strut Bore (S): _____

Barrel O.D. (C): _____

Aft End Drop (D): _____

Back Sweep (B): _____

Barrel Length (L): _____

Base Length (X): _____

Base Width (Y): _____

No. Mount Holes: _____

Dia. of Mount Holes: _____

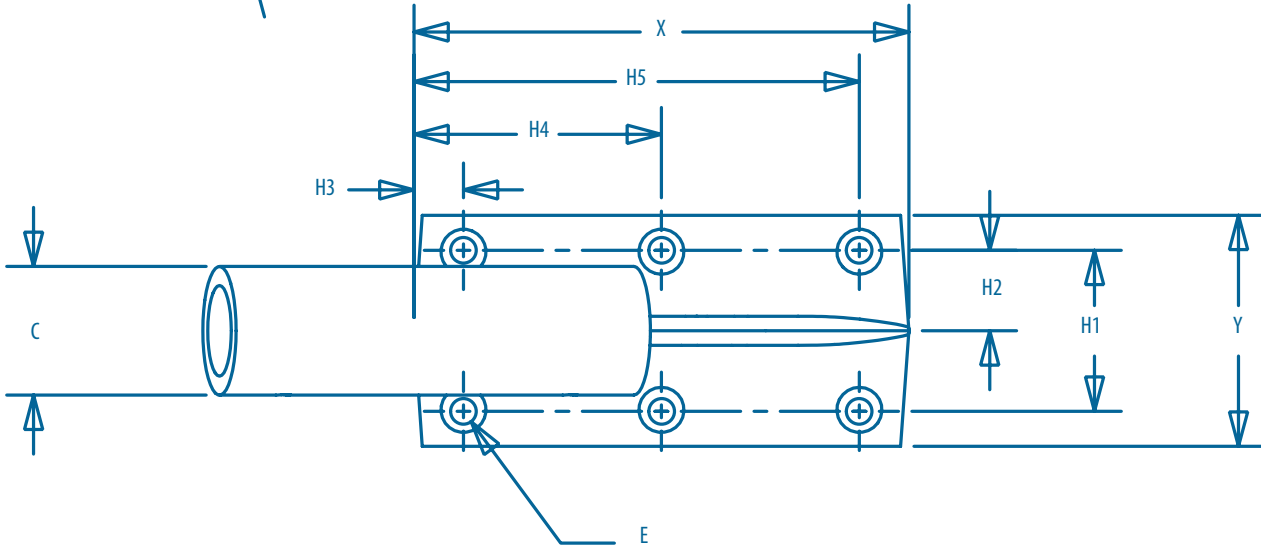
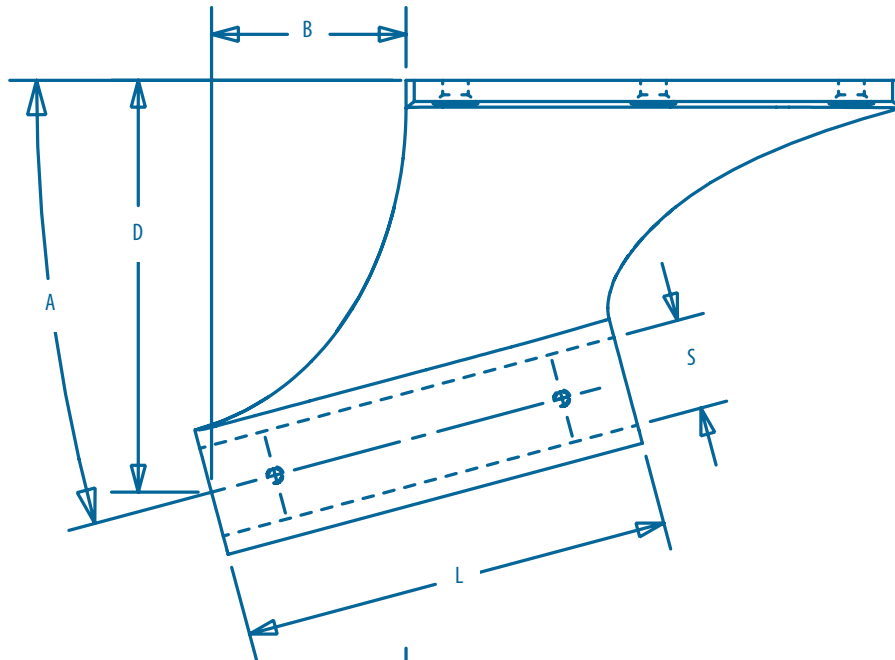
Mount Hole Type (E): _____

HOLE LOCATION

H1 _____ H4 _____

H2 _____ H5 _____

H3 _____ H6 _____



Your Company: _____
 Your Name: _____
 Phone: _____
 Your Email: _____
 Boat Manufacturer: _____
 Year: _____ Boat Length: _____

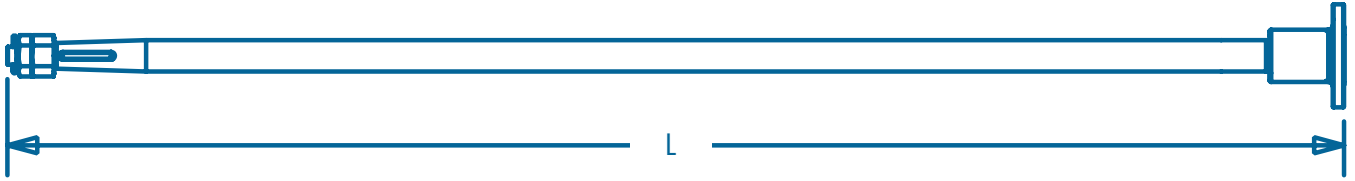
MARINE HARDWARE
INC.

Redmond, WA Phone: (800) 526-5971
 FAX: (425) 869-1232

Ormond Beach, FL Phone: (386) 677-0687
 FAX: (386) 676-3869

Email: info@marinehardware.com

DIRECT DRIVE IN-LINE COUPLER WORKSHEET



GENERAL SHAFT SPECS NEEDED

Shaft Dia. : _____

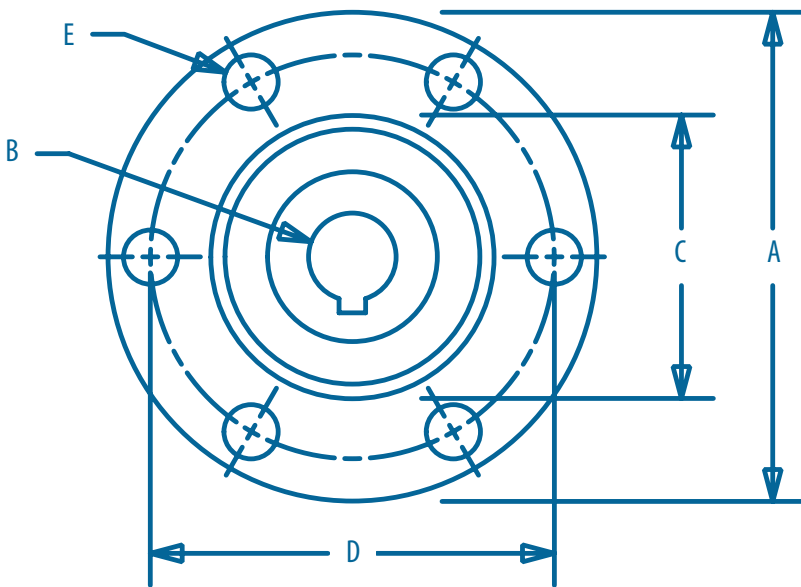
Assembled Length (L): _____

Material Grade: 17 19 22 22HS

Keyway Size (Coupler End): _____

Nuts & Keys: Yes No

Fit: Loose Fit or Tight Fit



GENERAL COUPLER SPECS NEEDED

Flange O.D. (A): _____

Bore/Shaft Dia. (B): _____

Register Dia. (C): _____

Bolt Circle Dia. (D): _____

Dia. of Bolts (E): _____

Number of Bolts: _____

Male or Female

Bore: Tapered or Striaght

Transmission Designation: _____

Your Company: _____
 Your Name: _____
 Phone: _____
 Your Email: _____
 Boat Manufacturer: _____
 Year: _____ Boat Length: _____

MARINE HARDWARE	
Redmond, WA Phone: (800) 526-5971 FAX: (425) 869-1232	Ormond Beach, FL Phone: (386) 677-0687 FAX: (386) 676-3869
Email: info@marinehardware.com	

V- DRIVE WITH REVERSE COUPLER WORKSHEET



GENERAL SHAFT SPECS NEEDED

Shaft Dia. : _____

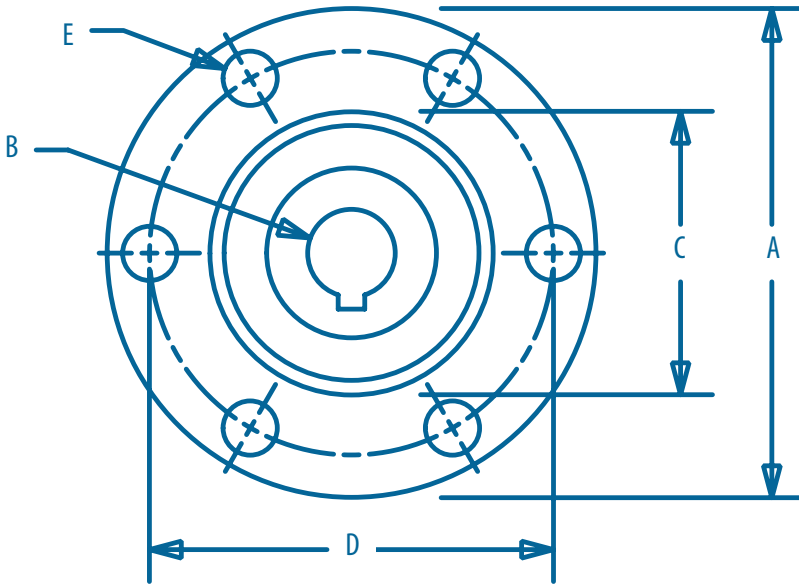
Assembled Length (L): _____

Material Grade: 17 19 22 22HS

Keyway Size (Coupler End): _____

Nuts & Keys: Yes No

Fit: Loose Fit or Tight Fit



GENERAL COUPLER SPECS NEEDED

Flange O.D. (A): _____

Bore/Shaft Dia. (B): _____

Register Dia. (C): _____

Bolt Circle Dia. (D): _____

Dia. of Bolts (E): _____

Number of Bolts: _____

Male or Female

Bore: Tapered or Straight

Transmission Designation: _____

Your Company: _____

Your Name: _____

Phone: _____

Your Email: _____

Boat Manufacturer: _____

Year: _____ Boat Length: _____



Redmond, WA
Phone: (800) 526-5971
FAX: (425) 869-1232

Ormond Beach, FL
Phone: (386) 677-0687
FAX: (386) 676-3869

Email: info@marinehardware.com

Index

- A**
- Angle Base Strut, 48
 - Appendix, 43
 - aquanox/Nautilloy Shafting, 6
 - Assemblies, 9
- B**
- Bearing Spacing Analysis, 10
 - Blunt Nose Turn Fin, 41
 - Boat Yard Worksheets, 43
 - Brass Radiused Keystock, 15
 - Bulkhead Mount Shaft Boxes, 24
- C**
- Challenger Turn Fin, 41
 - Clamps, 22
 - Clevises, 31
 - Composite Packing Materials, 21
 - Composite Shaft Stuffing Box, 24
 - Correct Fit of Propeller/Coupler, 11
 - Cotter Pins, 16
 - Coupler Nuts, 16
 - Couplers, 7, 12, 13, 14
 - Custom Backing Plates, 19
- D**
- Direct Drive In-Line Coupler Worksheet, 50
 - Disclaimer of Warranty, 2
- F**
- Flat Base Strut Worksheet, 47
 - Full Prop Nuts, 16
- G**
- General Policies, 53
 - Glad Style-Shaft Stuffing Boxes, 25
- H**
- Hi-Aspect Ratio Turn Fin, 41
 - Hose Assemblies, 22
 - Hose Clamps, 22
 - Hoses, 22
 - How to Order a Custom Strut, 19
 - How to Specify A Coupler, 14
- I**
- Inboard Rudders, 34, 35, 36, 37
 - Inboard Rudders RPBC, 35
 - Inboard Rudder Worksheet-Nordic, 45
 - Inboard Rudder Worksheet-Performance, 46
 - Inboard Rudder Worksheet-Standard, 44
- J**
- Jam Prop Nuts, 16
- K**
- Keystock, 15
- L**
- Limited Warranty, 2
- M**
- Material Specifications, 4
 - Motor Mounts, 31
 - Motor Mount Washers, 31
- N**
- Nordic-Inboard Rudder Worksheet, 45
 - Nordic Style Inboard Rudder, 34, 37
 - Nut Style Stuffing Box, 25
- O**
- OBRI Outboard Rudder, 32, 33
 - OBRS Outboard Rudder, 32, 33
 - Outboard Rudder-OBRI, 32, 33
 - Outboard Rudder-OBRS, 32, 33
 - Outboard Rudder Assemblies, 32, 33
 - Oval Flange Shaft Logs, 23
- P**
- Packing Material, 21
 - Performance Inboard Rudder Worksheet, 46
 - Pre-Cut Single Piece Keystock, 15
 - Procedure for Correct Fit of Propeller, 11
 - Propeller Shafting Weight Per Length, 9
 - Proper Fit of Tapered Coupler to Shaft, 11
 - Prop Nuts, 16
- R**
- Rectangle Flange Shaft Log, 23
 - RPBC Inboard Rudders, 35
 - RPIX Inboard Rudders, 37
 - Rudder Stuffing Boxes, 26
 - Rudder Support Bearings, 27
- S**
- Safety Collars, 27
 - Service Parts, 42
 - Shaft Analysis, 10
 - Shaft Assemblies, 7, 9
 - Shaft Dimensions, 8
 - Shafting, 6, 8, 9, 10
 - Shaft Log Hose Assemblies, 22
 - Shaft Log Hoses, 22
 - Shaft Logs, 23
 - Shaft Specs, 9
 - Shaft Stuffing Boxes, 24, 25
 - Ski Boat Bearing, 21
 - Ski Boat Rudder Assemblies, 38
 - Ski Boat Strut Worksheet, 49
 - Stainless Radiused Keystock, 15
 - Standard Flat Base Turn Fin, 41
 - Standard Inboard Rudders, 34, 36
 - Standard Inboard Rudders Worksheet, 44
 - Standard V-Base Turn Fin, 41
 - Steering Clamp, 31
 - Straight Bore Style Coupler, 13
 - Struts, 18, 19, 42
 - Strut Washers, 19, 20
- T**
- Table of Contents, 3
 - Tapered Bore Style Coupler, 7, 11, 13, 14
 - Tie Bars, 31
 - Tiller Arm 10" Standard, 29
 - Tiller Arm 11" Commercial, 30
 - Tiller Arm 7" Standard, 29
 - Tiller Arm Gooseneck-Ski Boat, 28
 - Tiller Arms, 28, 29, 30, 32
 - Tiller Arms 12" Standard, 29
 - Tiller Arms 16" Standard, 30
 - Tiller Arms 18" Standard, 30
 - Tiller Arms 8" Standard, 29
 - Tiller Arm Straight-Ski Boat, 28
 - Tournament Ski Boat Rudder Assemblies, 38
 - Triangle Flange Shaft Logs, 23
 - Turn Fins, 40, 41
 - Types of Couplers, 7, 13
- V**
- V-Drive W/Reverse Couple Worksheet, 51
- W**
- Worksheets, 19, 44, 45, 46, 47, 48, 49, 50, 51

General Policies

CREDIT: Please call for a credit application, fill it out, sign, and fax back to Marine Hardware, Inc. We will notify you by email or return mail when your credit has been approved. General terms of sale are C.O.D., or cash in advance. We also accept Visa, MasterCard, Discover credit cards. With approved credit, terms are net (30) days from date of invoice. Any account unpaid after date due is subject to a service charge of 1.5% per month on the unpaid balance.

TAXES: All sales are made subject to Buyer's payment of all applicable State, County, City and Federal use sales and excise taxes. Any such tax may be billed to the buyer as part of the selling price, or may be separately billed at any time by the Seller, if the Seller is required by any taxing authority to collect or pay such tax.

DISCREPANCIES: All products leaving our warehouses are fully inspected. Please call Marine Hardware, Inc to report any discrepancies within (10) days of receipt.

SHIPPING: All products are shipped F.O.B. Seller's warehouse in Redmond, WA; Ormond Beach, FL; or Manistee, MI unless otherwise specified. Marine Hardware, Inc. does not warrant or insure any shipments for damage or loss. If you find damage, notify the carrier at the time of delivery. Do not refuse the shipment. The damage should be noted by the driver on the freight bill. It is your responsibility to file a claim for freight damage with the freight company.

RETURNS: If a product or item purchased is unsatisfactory or defective and you desire to return it you will need to obtain in advance a Return Goods Authorization number (RGA). Returns will not be accepted without a RGA. Custom products are not returnable. Products must be returned within 30 days of receipt. When returning goods the RGA number must be clearly marked on the box and a copy of the RGA must be included with the returned goods. You must prepay the return shipping charges and insure the shipment or accept the risk of loss or damage during shipment. The refund credit will not include any shipping and handling charges shown on your invoice, and you may be subject to a restock fee.

MINIMUM ORDER: We require a \$25 minimum order, not including shipping.

Working with partners around the world



Redmond, WA

Toll Free Phone: 800-526-5971
Local Phone: 425-883-0651
Fax: 425-869-1232

Office Hours:
8:00 am - 5:00 pm PST M-F

Shipping Address:
14560 NE 91st Street
Redmond, WA 98052

Mailing Address:
PO Box 3099
Redmond, WA 98073-3099

Email: info@marinehardware.com

Manistee, MI

Phone: 231-398-3002
Fax: 231-398-2808

Office Hours:
8:00 am - 5:00 pm EST M-F

317 Washington Street
Manistee, MI 49660

Ormond Beach, FL

Phone: 386-677-0687
Fax: 386-676-3869

Office Hours:
8:00 am - 5:00 pm EST M-F

5 Aviator Way
Ormond Beach, FL 32174

www.marinehardware.com

Quality materials make it strong ... Our designs make it better.